



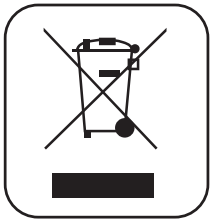
Instruction manual for downdraft hood

Model code: DD911BK DD911SS
DD911WH DD120BK



Contact Caple on 0117 938 7420 or for spare parts www.caple.co.uk

Environmental protection



The symbol on the product or on its packaging indicates that this product may not be treated as household waste. Instead it shall be handed over to the applicable collection point for the recycling of electrical and electronic equipment. By ensuring this product is disposed of correctly, you will help prevent potential negative consequences for the environment and human health, which could otherwise be caused by inappropriate waste handling of this product. For more detailed information about recycling of this product, please contact your local city office, your household waste disposal service or the shop where you purchased the product. This appliance is marked according to the European directive on waste electrical and electronic equipment (WEEE).

CE Declarations of Conformity



This appliance has been manufactured to the strictest standards and complies with all applicable legislation, Low Voltage Directive (LVD) and Electromagnetic Compatibility Directive (EMC).

Notes for the user

This product is designed to work in both ducted and recirculated mode, whichever is preferred for your installation.



Keep these instructions for use with the appliance. If the appliance should be sold or passed on to others, make sure that the instructions are passed on with it. We thank you for taking note of these suggestions before installing and using the appliance. They have been written for your personal safety and the safety of others.

Safety instructions

These hoods have been designed for personal use in the home. The appliance must be used by adults. Make sure that the appliance is out of reach of children and that they do not use it to play with. Make sure that children do not operate the controls.

- When the appliance is delivered, check the overall appearance of the packaging. Any remarks should be written on the delivery coupon, of which you keep a copy. Your appliance is designed for normal domestic use. It is not designed for commercial or industrial use, or for purposes other than those for which it was designed.
- Any consequences of or damage from incorrect installation or incorrect use of the appliance will not be covered by the manufacturer's guarantee.
- Do not ever change or try to change the characteristics of this appliance. This would be a danger. Repairs must be performed only by an authorised technician. Always disconnect the hood before carrying out cleaning or maintenance operations.
- Adequately ventilate the room when a cooker hood and other appliances, powered by energy other than electricity, are used simultaneously, so that the hood does not suck any combustion fumes.

- Do not cook food over open flames (flambé) or operate gas hobs without pots or pans on them while using the hood (the flames may get sucked into the hood causing damage to the appliance).
- Frying under the appliance must be done under constant supervision as hot oils and fats may ignite. Respect the guidelines for cleaning and replacement of grease filters. Accumulated deposits of grease are a fire hazard.
- This appliance must not be used with overcook tops powered by wood or coal or in any case, with cook tops with power levels that could damage the appliance.
- Never use steam or high pressure devices for cleaning your hood (regulations regarding electrical safety).
- Never use the cooker hood without the grease filters fitted.
- The minimum distance between the Down-draft (closed) and the surface above it must be at least 400 mm.
- When handling the downdraft, never put your hands in the field of action of the extractable unit. Keep your hands clear of moving parts.
- **There must be a minimum space of 50mm between the edge of a gas hob and the downdraft frame**

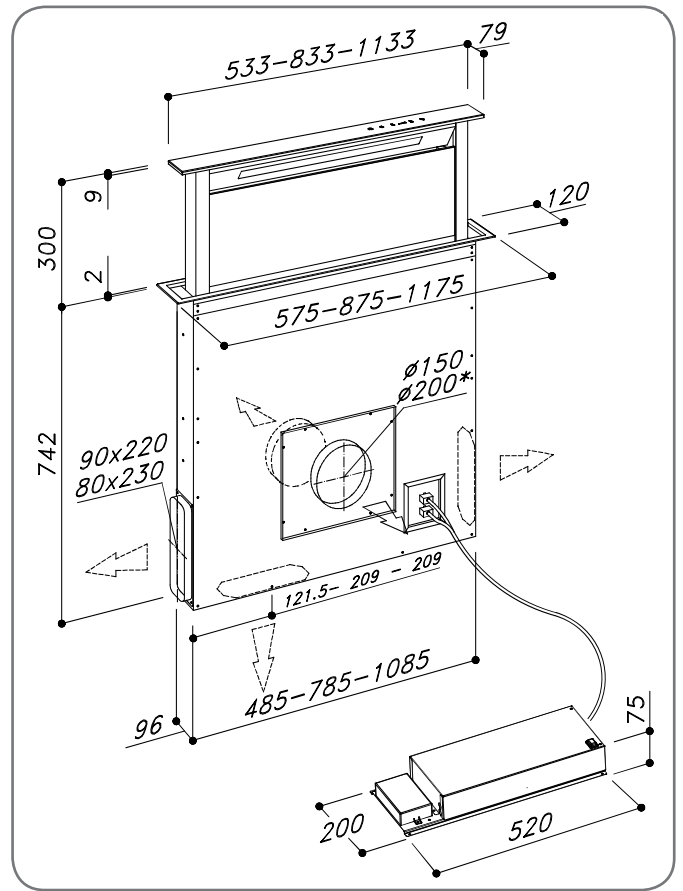
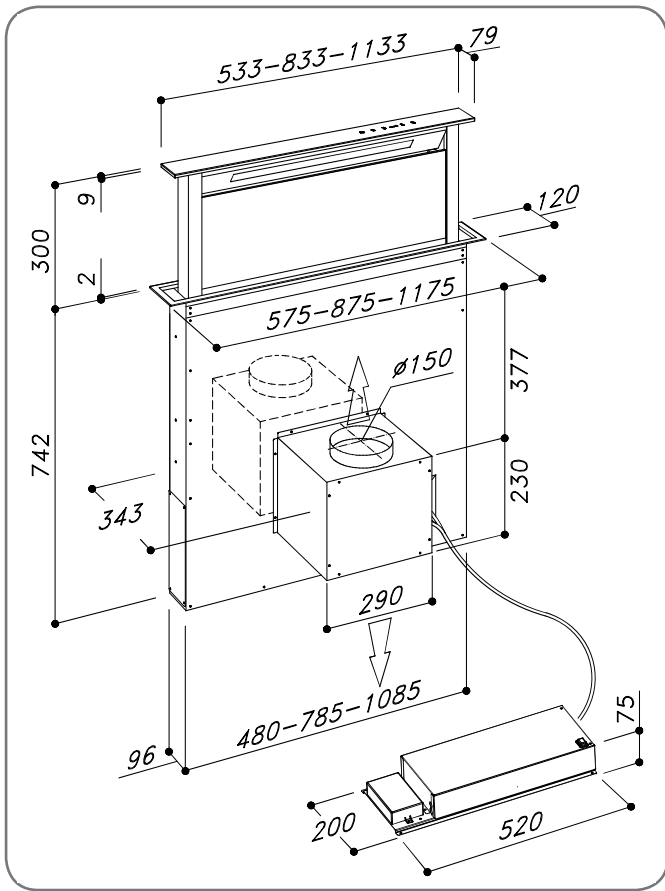
We are constantly seeking to improve our products, we reserve the right to modify their technical, functional, or aesthetic characteristics deriving from their upgrading. In the case of the version with external motor, for normal downdraft operation, it is necessary to use an external motor made by Caple.

The air collected must not be conveyed into a flue used for smoke or fumes from appliances powered by anything other than electricity (central heating systems, etc.). As far as discharging exhaust air is concerned, please follow the guidelines given by competent authorities.

Contents

Dimensions	6
Installing the extractor	7
Grease filter removal, installing the activated charcoal filter	8
Electrical connection	9
How the downdraft works	10
Cleaning the extractor	12
Troubleshooting	13
Aftersales service	13

Dimensions



Note: The Downdraft worktop cutout can be connected to the hob cutout, but only for electric hobs.

For gas hobs, a minimum 50mm gap must be left between the edge of the gas hob and the downdraft frame

Installing the extractor

1. Before carrying out the appliance installation, please check that all components are not damaged, in such a case contact your retailer and do not carry out any installation operation.

Before the installation of the Downdraft, please remove the safety piece you can see in the picture (**Fig. 1**). Furthermore, please read carefully all of the following installation instructions.

- Use an air exhausting pipe whose maximum length does not exceed 5 meters.
- Limit the number of elbows in the piping, since each elbow reduces the air capacity of 1 linear meter. (eg. if you use no. 2 x 90 ° elbows, the length of piping should not exceed 3 meters).
- Avoid abrupt direction changes.,
- Use a 150 mm. constant diameter rigid ducting pipe for the whole length.
- Use piping approved by standards in force.

The manufacturer shall not be deemed responsible for air capacity or noise problems caused by failure to comply with the above instructions and no warranty on the product shall be provided.

2. Before making the hole, check that there are no structural or other parts inside the cabinet, where the appliance is to be placed, which could hinder a proper installation. Check that the dimensions of the Downdraft and the ones of the cook top are compatible with the cabinet so that the installation can be carried out properly.
3. Make a rectangular opening, 842 x 100 mm in size, in the back of the cook top for the 90cm model, 1142 x 100 mm for the 1200 model and 542 x 100 mm for the 60 cm model.

4. Put the Downdraft in the opening, inserting it from above as shown in (**Fig. 2**).

5. Fix the downdraft inside the cabinet, using the special fixing brackets supplied with the product (**Fig. 3**).

Insert the brackets in the lower side of the downdraft (**Fig. 3**), in such a way that there is a 2 mm distance between the lower side of bracket and the bottom of the cabinet (**Fig. 3**).

This distance will allow the traction to be positioned downwards of the product, at the moment of fixing, in order to have the stainless steel trim perfectly adhering with the work surface. Before inserting the screws, please make sure that the appliance is perfectly perpendicular with the work surface.

6. Once the installation is complete and after connecting the appliance to the mains power, lift up the downdraft and remove the door block (**Fig. 4**); then open the door (**Fig. 5**) and fit the filters in place (**Fig. 6**). In the version of the Downdraft equipped with internal motor, install the power unit orienting the air outlet to the desired position, either downwards or upwards (**Fig. 7**). The motor can be installed either on the front or rear side of the downdraft After having installed the motor, connect the air ducts.

7. For versions with an external motor, place the external motor in a suitable area and fit the exhaust ducting as illustrated. Then fit the air outlet ducts between the external motor and the downdraft. Select an air outlet from the five possibilities (**Fig. 9**) and fit the union supplied with the appliance.

8. Place the metal box with the electronic components in an easily reachable area for eventual technical assistance operations. (**Fig. 9**), connecting the three connectors (9 pole connector for the actuator control and the safety control, 4 pole connector for neon lamp turn on and push-button connector) (**Fig. 10**).

9. Connect the internal or external motors cable to the terminal board found inside the plastic box of the downdraft wiring. Ensure you respect the power cables wiring colours when performing the electrical connection

10. Power up the cookerhood.

How to use the extractor

This appliance is intended to suck cooking fumes, greases and some steam. It has been designed to work in both ducted mode, with outside evacuation, and recirculating mode.

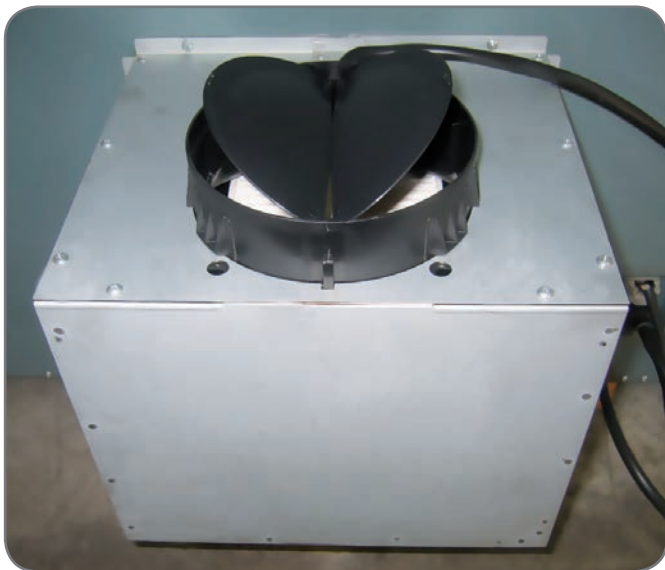
Outside - ducted version

The cooker hood can be mounted in the version with outside discharge of extracted air: in this case it is necessary to connect the exhausting channel/ducting to the outside (exhausting pipes are not supplied with this product.)

Check for a non-return valve blockage



Before connecting the air exhaust hose, make sure that the non-return valves can move freely.



In case of outside air discharge installation, fit a non-return valve to prevent wind and back air from entering.

Recirculating mode

In case fumes and vapour cannot be evacuated outside, the appliance can be used in the recirculating mode.

Activated charcoal filters are required for this type of cooker hood (code: CAP43CF).

Air recycled through the charcoal filters is recirculated into the kitchen, thanks to a duct conveying the air on one side of the cabinet (**Fig. 11**).



Installation must comply with the regulations in force regarding the ventilation of enclosed environments. In particular, discharged air must not be conveyed into a duct used for fumes discharge or discharge from appliances using gas or other combustible materials. The use of discontinued ducts is not allowed without the approval of a qualified technician.

Removing the grease filter and installing the charcoal filter

The removal and fitting of the grease and charcoal filters need to be carried out with the downdraft in the open position. To open the downdraft, push the \updownarrow key. Then remove the front panel, pushing the upper part of each side at the same time. The panel will rotate forwards to make it possible to access the grease filters (**Fig. 6**). Remove the grease filters to access the carbon filters (**Fig. 12**). The replacement of the charcoal filters has to be carried out accordingly to the effective use of the Downdraft, and in any case at least once every 6 months.



After having replaced the filters, reinstall the front stainless steel panel, otherwise the Downdraft is not function.

Electrical connection



Place the metal box containing the electronic components at a distance of no less than 65 cm from gas operated hobs or in any case, 65 cm from the suctioning surface of the cooker hood.



We recommend installing the metal box containing the electronic components at least 10 cm above floor level and at a suitable distance from all heat sources (e.g. oven sides or cook top).



This appliance is fitted with an H05 VVF 3 conductor, 0.75 mm² (neutral, phase, and ground) power cord.

This can be connected up to a 220 - 240 V mono-phase electrical network through a CEI 60083 approved power socket, which must remain accessible after installation, in compliance with installation regulations.

We decline any responsibility in case of accidents caused by a lack of ground connection or incorrect ground connection. The appliance must be fed through a differential protection device (RCD), with a nominal residual current not exceeding 30mA. If the power cord is damaged, call the Caple Service to avoid any risk.



The downdraft connection to the electrical network must be carried out only by professional and qualified technicians.

The downdraft must be connected to a properly installed and suitable electrical network.

The electrical system must comply with VDE0100 standard.



If the cooker hood presents any anomaly, disconnect the appliance or remove the fuse corresponding to the appliance power disconnecting line.

If the appliance has no plug or if the plug is not easily accessible, then a device needs to be fitted to cut it off from the electric network; this device must have an opening distance between contacts on all poles of at least **3 mm**.

Electrical connection

While installing the appliance and carrying maintenance operation, make sure it is disconnected from the electrical network or the fuses are cut out or removed.

Check that:

- Power is enough.
- Feeder lines (mains) are in good condition.
- The cable diameter complies with installation regulations.

How the downdraft works

MODEL DD911

A: Light ON/OFF key

The light switches on and off only when the carriage is fully OPEN.

Pressing this button with the carriage closed will cause the carriage to open and then the light will switch on .

The button also serves to switch off the light if it is on.

B: ON/OFF key

This starts the extraction carriage upward movement and when it is fully open, it sets the second extraction speed.

With the carriage open: it switches off the motor and if on, the light; then it retracts the extraction carriage.

C: (-) Key

This reduces the speed of the extractor motor from the 4th **speed until the motor switches off, without closing the pull-out carriage.**

D: 1 2 3 4 Indicators

- This signals the speed setting, by only the relevant LED switching on.(see 'Timing' on pg 11 for further information)
- This signals that all filters have been saturated by all LEDs switching on.

E: (+) Key

This increases the speed of the extractor motor, from 1st to 4th speed, without moving the extractor panel.

F: Timer

10 min after setting, it serves to stop the extractor motor, close the carriage and switch the lights off, if they are on. The set function is signalled by the flashing LEDs "D" for the set speed. The timer can be cancelled by pressing the key again.

Other functions:

Automatic turn off:

After 4 hours of continuous working from the last function selection, the appliance turns off and closes automatically.

Grease filters saturation:

After 30 hours of working, the speed indicators "D" will all flash simultaneously, signaling the grease filters saturation.

To reset this alarm, hold down the "TIMER" button for at least 3 seconds, while the carriage is open.

Calibration:

The cooker hood carries out its self calibration every 3 complete cycles of its extractable unit.

By pushing the "TIMER" key 6 times consecutively (MAX break between one push and the other is 3 sec.) all the leds will flash and the calibration will be reset.

After the next 3 cycles the downdraft will carry out its self calibration.

Stand-by:

When the extractable unit is closed and the light is switched off, the control panel, after 6 seconds, activates the stand-by function, reducing the brightness of the leds. This function can be stopped by pressing **ON/OFF** or **LIGHT** key.

Security safety system:

If there is an obstacle while the extractable unit is closing, the Downdraft stops closing and rises again thanks to a security system.



This operation has to be carried out by a specialised technician.

TIMING


As a result of the new EU65 “Energy label” and EU66 “ Ecodesign” regulations issued by the European Commission, which came into force as from January 1st, 2015 , our products have been adapted to comply with these new requirements. All of the models complying with the energy label requirements, are equipped with new electronics including a timer device for suction speed control, when the air capacity exceeds 650m³/h. Internal motor models, with maximum air capacity higher than 650m³/h, are equipped with a timer device that automatically switches the suction speed from 4th to 3rd speed, after 6 minutes operation. External motor models are equipped with remote motors that as with internal motor versions, include a timer device that switches down the suction speed when it exceeds 650 m³/h. (See External Motors Instructions) Remote motors, whose air capacity exceeds 650m³/h at both 4th and 3rd speed , will have the following by default timer control functions: The suction speed is automatically switched from 4th to 2nd speed, after 6 minutes operation. If the appliance is working at 3rd speed, it is automatically switched to 2nd speed after 7 minutes operation. Operation speeds can also be changed during operation. The energy consumption of the appliance in stand – by mode is lower than 0.5W.

Cleaning the extractor

Careful maintenance ensures the correct operation and optimal performance.



The hood must be disconnected from the electrical network, both by unplugging the appliance from the socket and activating the magnetic circuit breaker (safety cut-out), before removing the metal grease filters. After cleaning operations, replace the metal grease filters as outlined in the installation instructions.

MAINTENANCE	HOW TO PROCEED?	ACCESSORY PRODUCTS TO USE
External surfaces and accessories	Do not use metallic scrubbers, abrasive products, or hard brushes.	To clean the external surfaces of the cookerhood and the light housing screen use only commercially available household detergents diluted in water. Then rinse with clean water and dry with a soft cloth.
Active charcoal filter with extractable unit open	After 30 hours of operation, the downdraft will signal the grease filter saturation. The saturation is signaled by the blinking of the 4 central leds. To reset, hold down the timer button  for at least 3 seconds, while the carriage is open.	The grease filters can be washed by hand or in the dishwasher. These filters need to be cleaned on a regular basis, because otherwise they may represent a fire risk. Refit the grease filters and front panel, making sure that the panis properly fitted at the sides so that it it does not cause the downdraft to stop operating.
Active charcoal filter	In the recirculation mode, the active charcoal filter must be replaced periodically. To remove the charcoal filter first of all it is necessary to remove the grease filter and then pull the plastic key of the panel itself, in order to disengage it from its seating. Follow these steps in reverse order to insert the active charcoal filter. Replace the used charcoal filter on an average of every six months.	

Troubleshooting

PROBLEM	SOLUTION
<p>The cooker hood does not work</p>	<p>Check that:</p> <ul style="list-style-type: none"> • There is not a power outage. • A specific speed has actually been selected. • The 9 pole connection is inserted properly. • The red reset key, found over the electrical system box, is pushed. • Make sure that the wires of the 9 pole connection are inserted properly in the connector itself (during the connection phase, an excessive pressure could bend the contacts).
<p>The cooker hood has low performance</p>	<p>Check that:</p> <ul style="list-style-type: none"> • The motor speed selected is sufficient for the quantity of fumes and vapors present in the room. • The kitchen is ventilated well enough to allow air for intake. • The charcoal filter is not worn out.(filtering version cooker hood). • The air outlet channel is free and compliant with paragraph no. 2. • The non-return valves of the suctioning unit are free to rotate.
<p>The cooker hood stops in the middle of operation</p>	<p>Check that:</p> <ul style="list-style-type: none"> • There is not a power outage. • The omnipolar device has not tripped.

Aftersales service

Any maintenance operation on your appliance should be carried out by:

- Either your retailer;
- Or another qualified professional technician, authorised for Caple appliances.

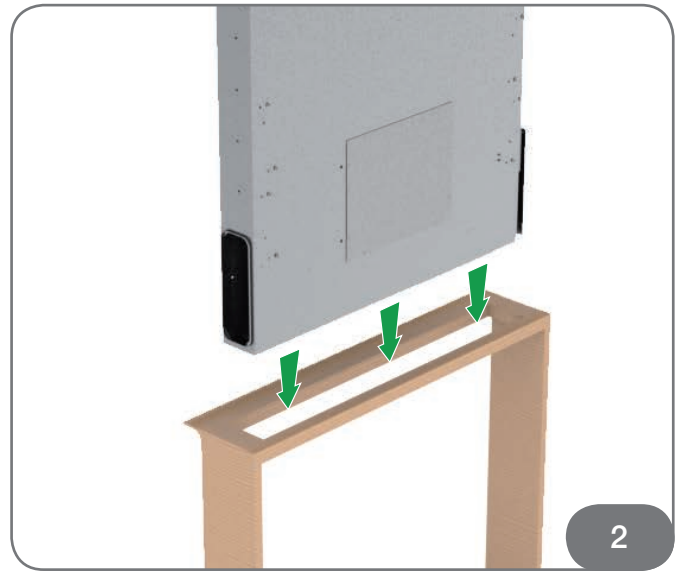
You can contact Caple Service by telephone on 0117 938 7420 or by email service@caple.co.uk

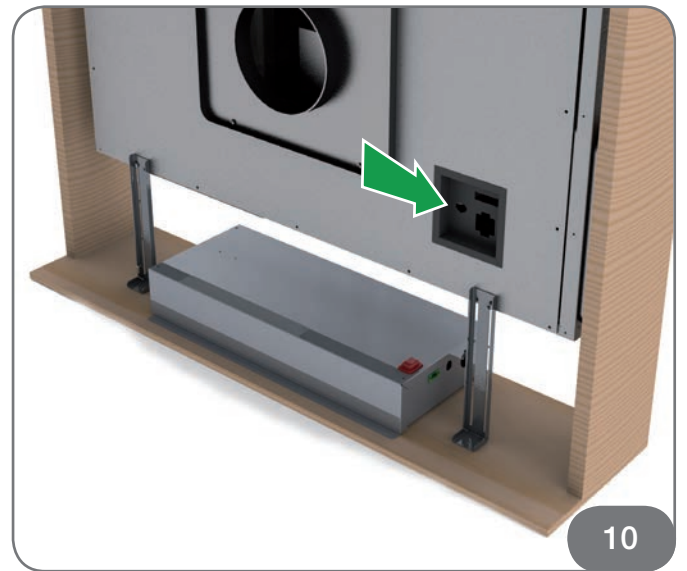
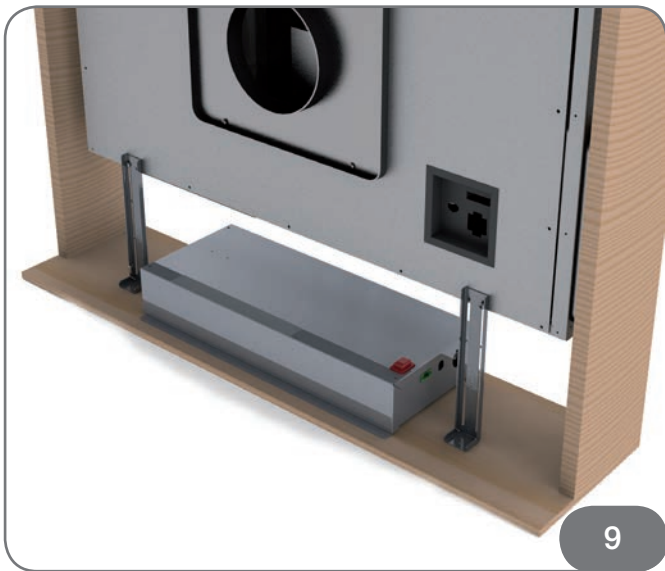
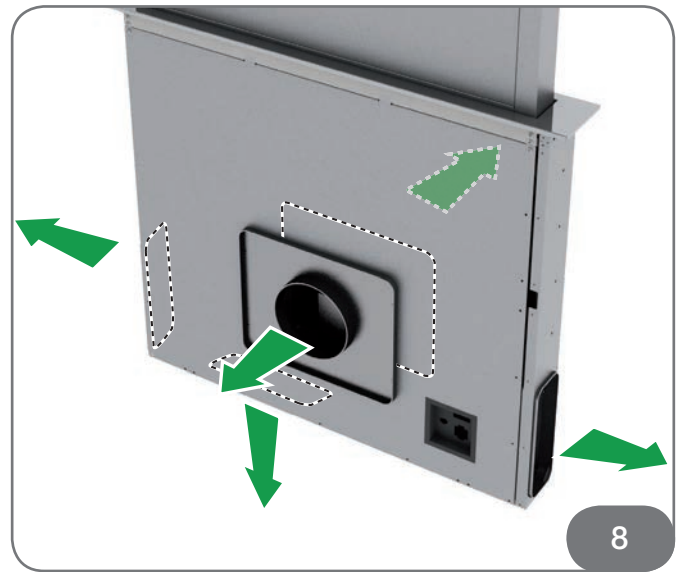
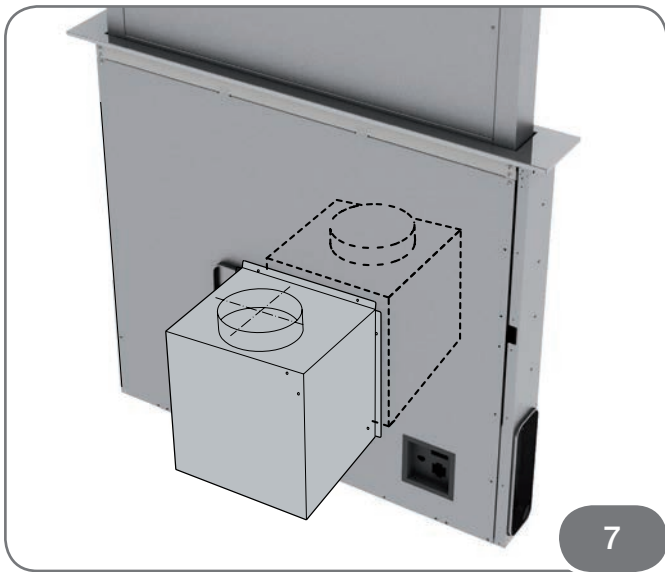


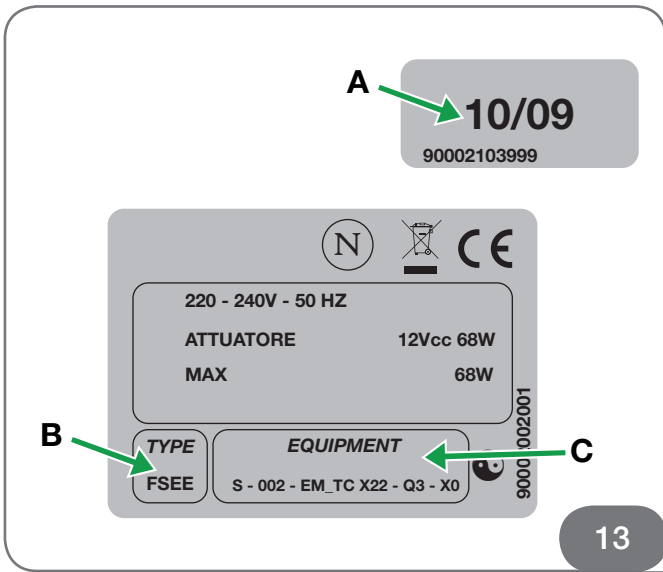
When calling, please mention the appliance details (Type Fig. 13a and equipment Fig. 13b and production date Fig. 13c).

This information is stated on the rating label and the production date label is placed on the lower side of the downdraft.

Images

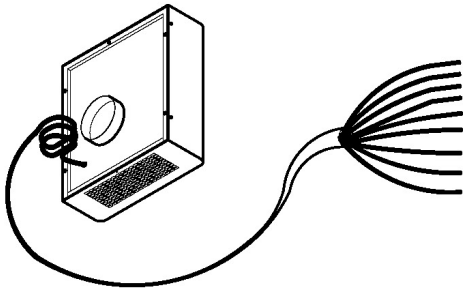




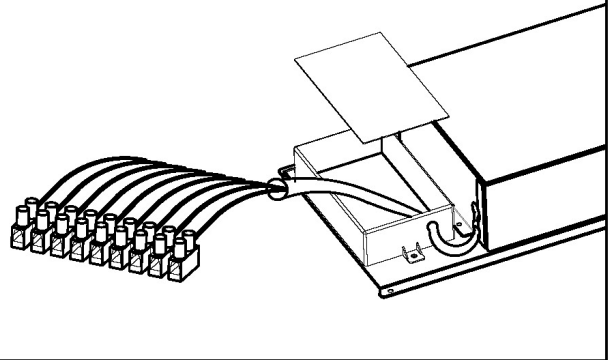


13

Energy label External motor



Energy label product in external motor version



14

Serial number

Caple
Fourth Way
Avonmouth
Bristol
BS11 8DW

www.caple.co.uk