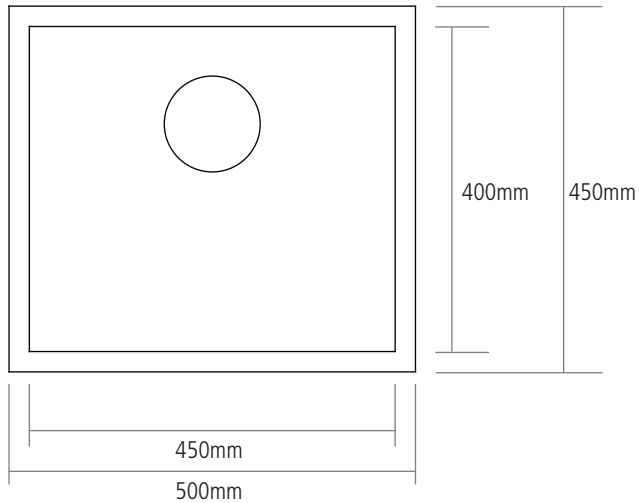


DIMENSIONS



DRAINER DEPTH: 25MM

MIN. BASE UNIT: 500MM

UNDERMOUNT CUT-OUT SIZE: 450 x 400MM

INSET CUT-OUT SIZE: 479 x 429MM

NOTE: For cut-out shape go to www.caple.co.uk for template