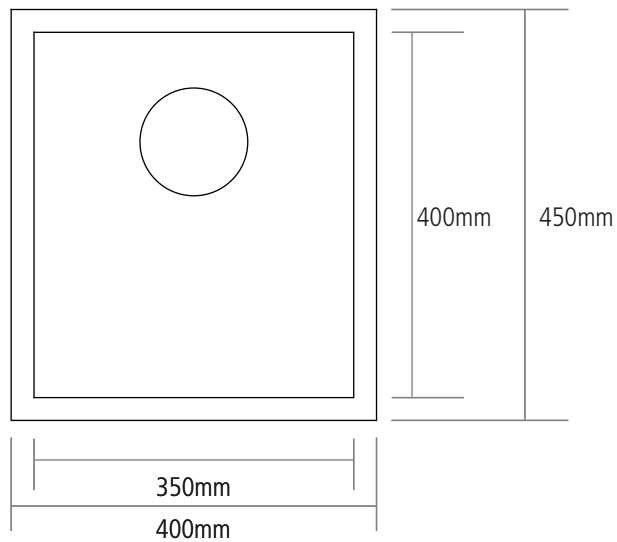


DIMENSIONS



BOWL DEPTH: 200MM

MIN. BASE UNIT: 400MM

UNDERMOUNT CUT-OUT SIZE: 350 x 400MM

INSET CUT-OUT SIZE: 379 X 429MM

NOTE: For cut-out shape go to www.caple.co.uk for template