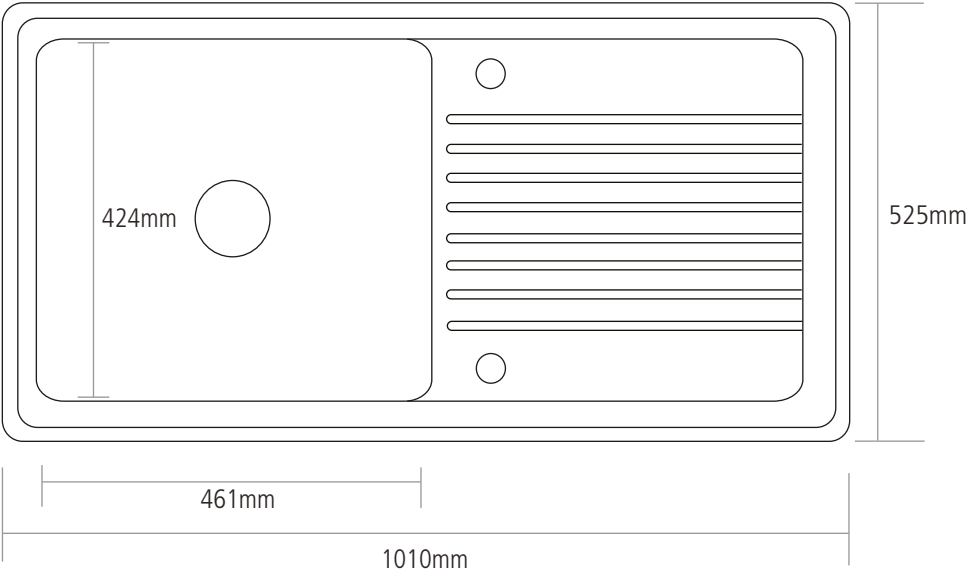


DIMENSIONS



- MAIN BOWL DEPTH:** 190MM
- OVERALL SINK DEPTH:** 225MM
- MIN. BASE UNIT*:** 600MM
- CUT-OUT SIZE:** 980 x 495MM

NOTE: All sink dimensions may vary by plus-or-minus 2%

Carcase may need to be adapted to accommodate tap tails if using a 600mm carcase

