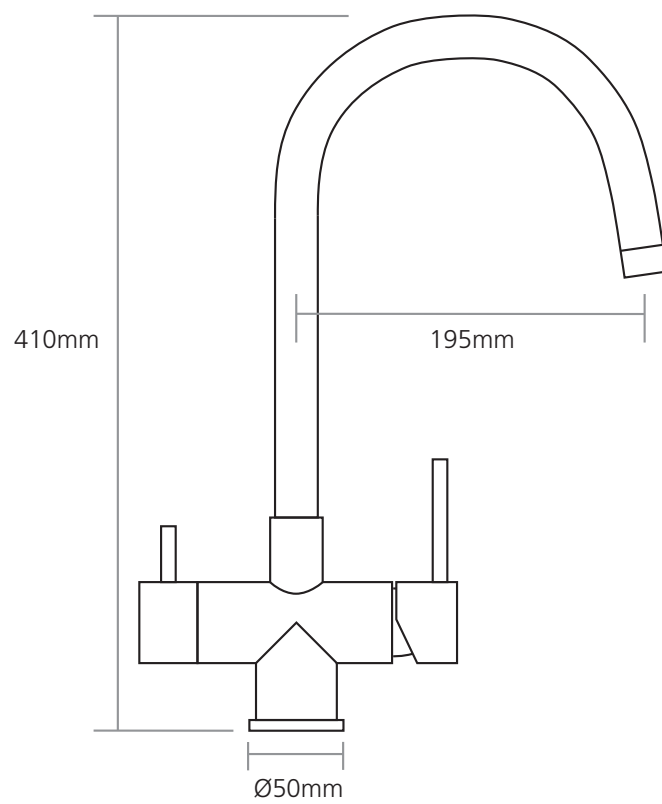


Product installation diagrams

Models:
VAP3IN1/SS



Worktop cut-out 35mm required
