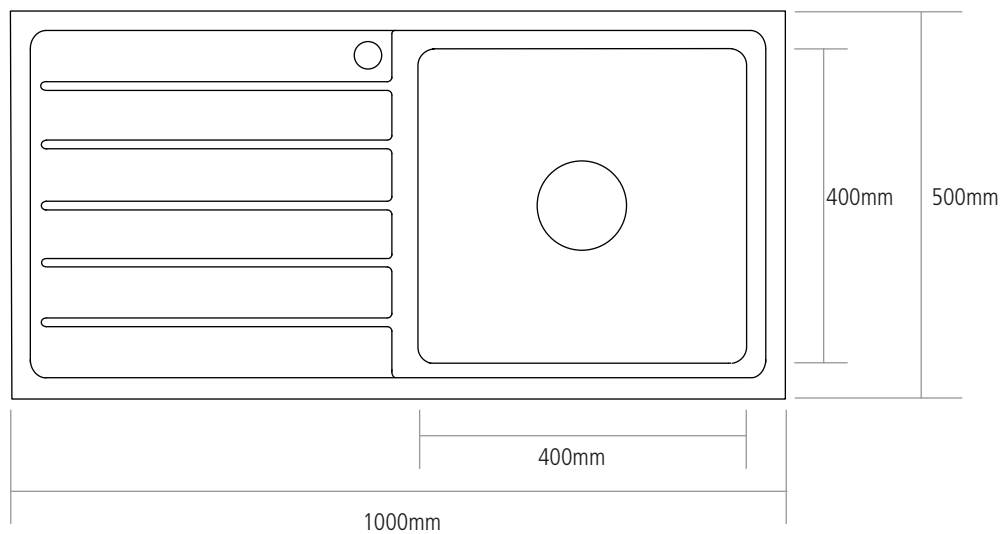


# DIMENSIONS



**MAIN BOWL DEPTH: 200MM**

**MIN. BASE UNIT: 600MM**

**CUT-OUT SIZE: 980 x 480MM**

---