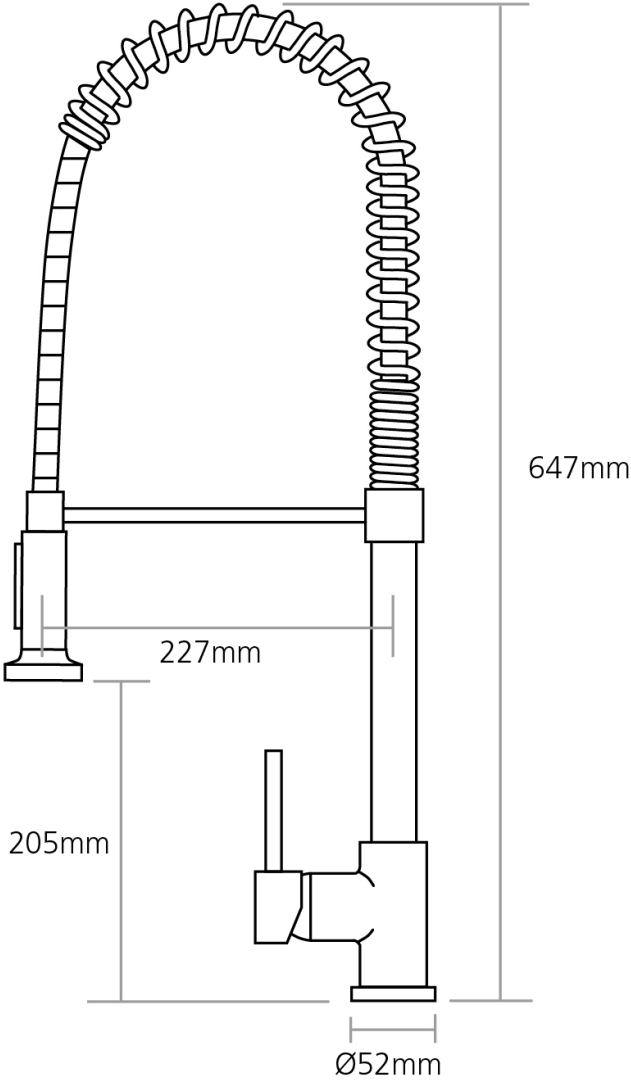


Product installation diagrams

Models:
TOR-CH



Note: Pull out hose extends by 600mm
Worktop cut-out 35mm required