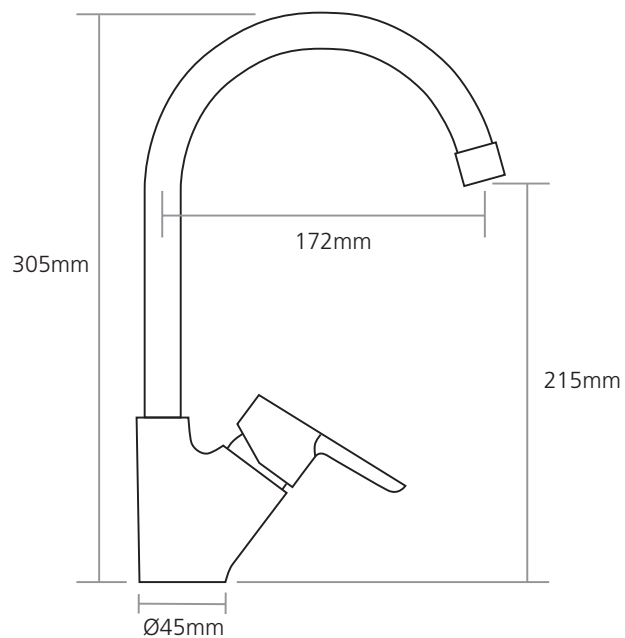


# Product installation diagrams

---

Models:  
SWA-CH



*Worktop cut-out 35mm required*

---