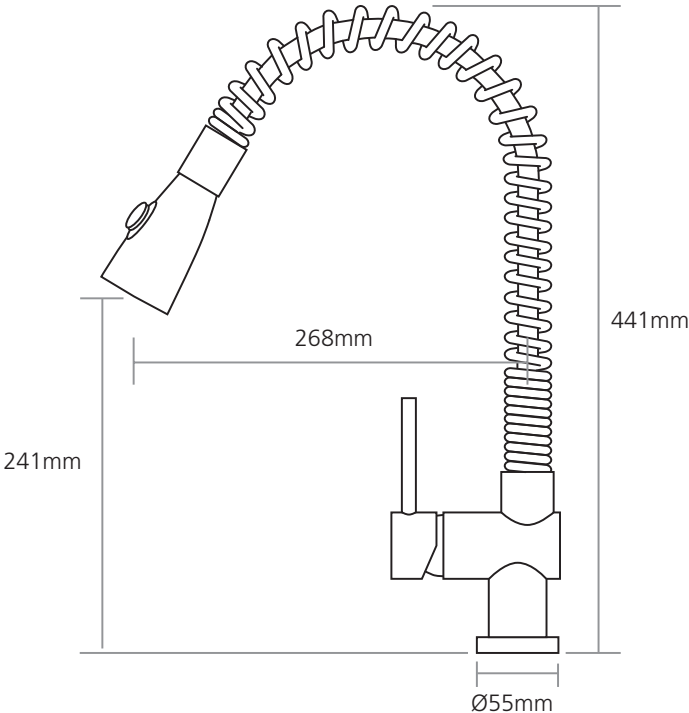


Product installation diagrams

Models:
SPI-CH



Note: Pull out hose extends by 410mm
Worktop cut-out 35mm required