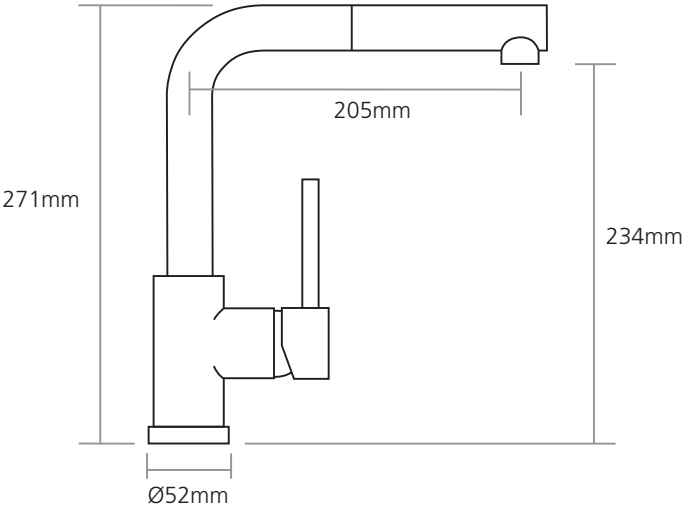


# Product installation diagrams

---

Models:  
LAN-SP-CH



Note: Pull out hose extends by 660mm  
Worktop cut-out 35mm required

---