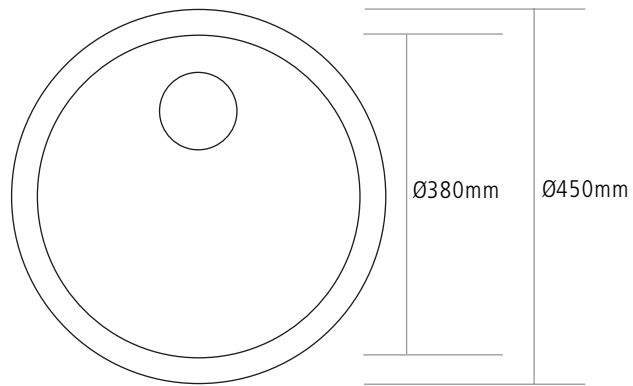


DIMENSIONS



BOWL DEPTH: 180MM

MIN. BASE UNIT: 500MM

INSET CUT-OUT SIZE: $\varnothing 430\text{MM}$

NOTE: For cut-out shape go to www.caple.co.uk for template