



Installation and Care Guide

AXL50



Contact Caple on 0117 938 7420 for spare parts or www.caple.co.uk

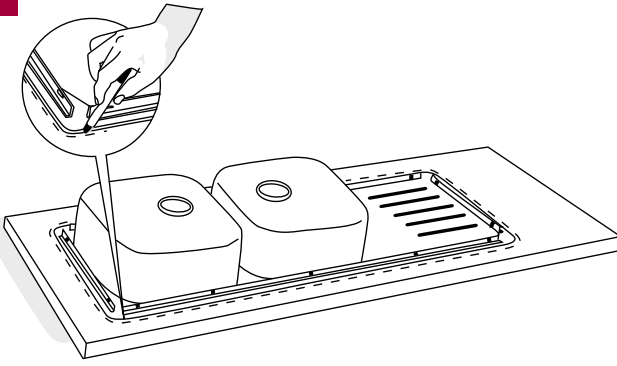
INSET INSTALLATION GUIDE

- FOR UNDERMOUNT INSTALLATION PLEASE REFER TO THE TEMPLATE PROVIDED WITH THE SINK.

Thank you for purchasing your Caple sink.

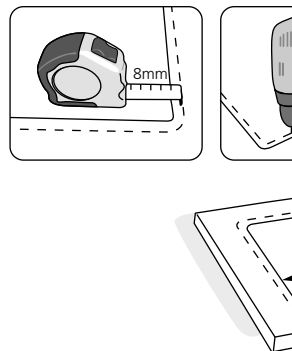
This sink have been manufactured with the finest quality stainless steel and inspected to exacting standards and is guaranteed to give years of trouble free operation providing our care and installation guidelines have been followed.

1



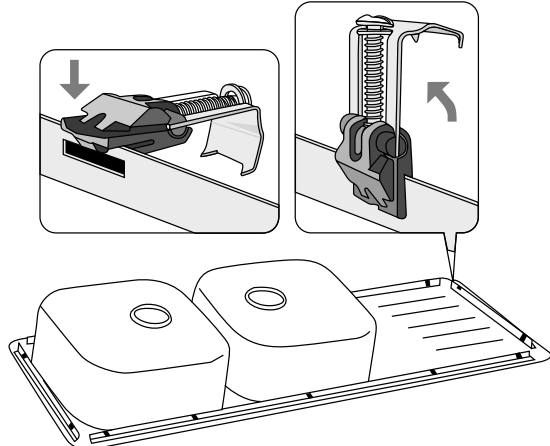
Place the sink upside down in the position where it is to be installed, and trace the outline of the sink on the worktop with a pencil.

2



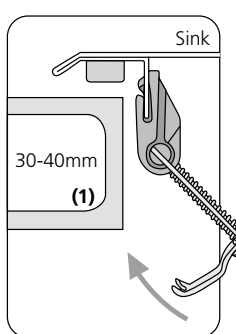
Draw another line 10mm inside the following this second inner line. Also a hole 520mm x 420mm as above to

4



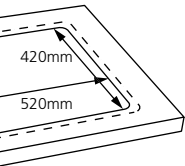
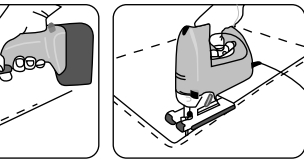
Place the fixing clips horizontally and pull them up to look into their vertical position. Then position the sink into the worktop.

5



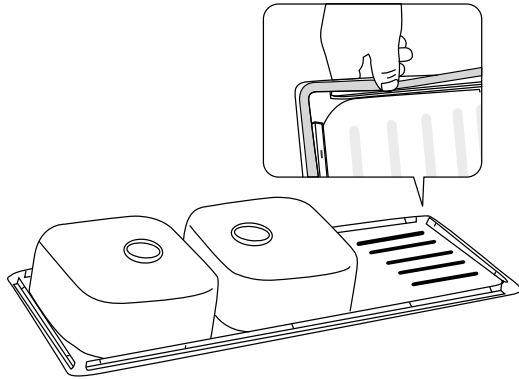
The fixing clips are designed for use with your worktop is thinner, insert wooden the fixing clips to secure them (2). After sink, place the rest evenly spaced around

NOTE: Please see back page for care and maintenance instructions



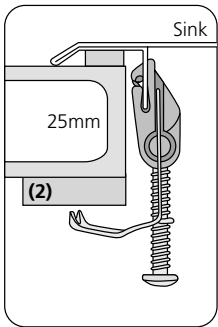
first line, cut a hole in the worktop
Alternatively for **inset** installation cut
to accommodate the sink.

3

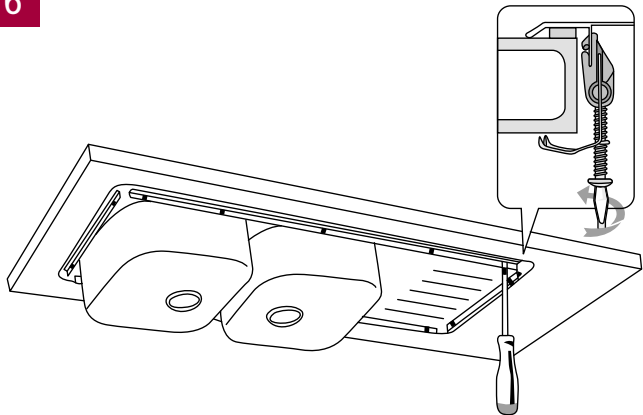


Adhere the seal tape around the under side of the edge of the sink,
being careful to lay it smoothly (without ridges).

6



th worktops 30-40mm thick (1). If
wedges between the counter top and
er placing two at each corner of the
nd the perimeter of the sink.



Tighten the screws of the fixing clips (with a screwdriver), to
secure the sink in place.

CAUTION: SINK EDGES MAY BE SHARP, HANDLE WITH CARE

SINK MAINTENANCE TIPS – STAINLESS STEEL SINKS

- By following these maintenance tips, you can maintain the finish of your stainless steel sink for longer:
- Scratching on the surface of sinks will occur over time through normal usage. Scratches cannot be removed only made less noticeable by using stainless steel polishing creams and cleaning products. The best form of maintenance is frequent, regular cleaning. A little bit of cleaning on a regular basis is preferable to a major clean on a sporadic basis.
- The best method of preventative maintenance is to ensure the sink is clean and dry. Rinse and towel dry the sink after each use in order to minimise major cleaning, keeping it shiny and relatively free of water spots.
- Keep the sink free of any standing water, which may build up mineral deposits. The quality of your water can affect the sinks appearance and this water quality will vary from household to household.
- To clean your sink use the mildest cleaning procedure that will do the job effectively. Exercise extreme care with household cleaners in particular detergents or bleaches.
- Always rinse the sink after using a cleaning agent and wipe the sink dry to discourage water spotting.
- Metallic scouring pads and steel wool pads should not be used to clean your sink or any utensils in the sink. They will not only scratch the sink but also leave a residue of small iron particles, these may not be visible but they will most certainly lead to rusting and corrosion on the sink surface.
- Do not leave any mild steel, cast iron cookware or implements anywhere on the sink for extended periods of time. The combined presence of iron and moisture with stainless steel leads to surface corrosion and sink staining.
- Do not leave wet sponges or cleaning pads in the sink overnight as they will trap water which could lead to staining or discolouration of the sink surface. The unique properties of stainless steel are dependent upon exposure of the surface to the atmosphere.
- We recommend that you do not use chlorine bleach in your stainless steel sink, as chlorine will attack the protective layer that makes stainless steel truly stainless. Any drain cleaning products containing sulphuric or hydrochloric acid will also attack the sink.
- For the occasional treatment of grime and mineral deposits that may build up over time, use cleaning products specifically designed for stainless steel following the manufacturer's instructions.
- If rusting or spotting occurs it can easily be removed with the use of a cutting compound, a soft scrubber (such as nylon or plastic) and a little elbow grease.

STAINLESS STEEL SINK PRODUCT CARE AND CLEANING INSTRUCTIONS

- Always wipe the sink down with warm soapy water and a cloth. This will remove general everyday stains from your sink.
- In hard water areas limescale deposits can build up on the sink over time. The limescale can become strongly coloured by such foods as coffee and red wine etc, we recommend the use of lemon juice or vinegar to remove this. Simply apply, leave for a few minutes and rinse away with water.
- If stains become ingrained in the bowl, an overnight soak using diluted biological washing powder should remove the marks easily. Ensure you thoroughly rinse the sink with water afterwards.
- For further advice on cleaning products please contact our Customer Service team on Tel: 0117 938 1900 or email: service@caple.co.uk
- We recommend the use of baskets, grids and chopping boards to help reduce the risk of accidental damage.
- You must not pour strong chemicals down the sink such as bleach, ammonia, caustic soda, white spirit and sterilising solutions. If this should accidentally happen, quickly wipe the spill away and rinse with plenty of water.
- We do not recommend the use of a plastic washing up bowl, as particles of grit which may be impregnated in the base of the bowl could scratch surface of the sink.
- Do not chop food directly on the sink surface, as this will cause damage. Wooden chopping boards are available for this purpose.
- Avoid dropping sharp objects into the sink, as this may scratch or damage the surface.
- Leaving neat bleach in the sink can cause damage to all sinks even stainless steel. If neat bleach should come into contact with this product, please rinse thoroughly with warm soapy water.

LIFETIME SINK GUARANTEE

- Caple products are manufactured to the highest standard. Should any defect in the material or construction arise within the guarantee period and in the judgment of Caple or an authorised representative is agreed as being defective, we will replace the product free of charge providing the item has been used in a solely domestic application and fitted in accordance with the installation instructions provided. The care and cleaning guides must be observed at all times.
- Caple reserves the right to inspect any product reported to be defective prior to replacement and Caple's decision is final.

EXCLUSIONS

- Normal wear and tear or any damage or defect due to improper installation or abuse of fitting or damage from misuse, negligence or accident.
- Consequential damage resulting prior to or as a result of agreement to replace the product.
- Damage resulting from transportation.
- Accidental damage caused by foreign objects or substances.
- Damage or alterations carried out by third parties.
- Products installed in a commercial environment.
- Calls to put right incorrectly installed products.
- Use outside of designated markets.
- Labour and transport.
- Wastes.

CONDITION

- This guarantee applies to the original purchaser only and cannot be transferred.
- The original installation was completed by a qualified tradesman.

CLAIMS

- A claim will only be recognised by Caple if accompanied by a copy of invoice/receipt confirming the date and proof of ownership. This guarantee is in addition to and does not diminish your statutory or legal rights.

PRODUCT IMPROVEMENT

- Due to our continued product development policy, we reserve the right to modify product specifications and/or dimensions without notice.
- This guarantee is in addition to and does not diminish your statutory or legal rights.

CAPLE GUARANTEES

- Sinks: Lifetime guarantee against manufacturing defects

AFTER SALES SUPPORT

- Please contact your retailer, call Caple on 0117 938 1900, email service@caple.co.uk or visit our website at www.caple.co.uk for further product information.

	
Caple Fourth Way Avonmouth Bristol BS11 8DW	
EN 13310:2015 Kitchen Sinks	
Cleanability	Pass
Durability	Pass