



Instruction manual for freestanding wine cabinet

Model code: WF1549



Contact Caple on 0117 938 7420 or for spares www.caple.co.uk

Contents

Important warnings and advice	3
Disposal of old appliances	3
Installation instructions	4
Operating your wine cabinet	5
Setting the temperature	6
Locking the door	6
Using the shelves	7
How to change the door opening	8
Care and maintenance	9
Troubleshooting guide	10
Caple Service contact details	10
Defrosting/condensation	11
The humidity system	11
Recommended storage temperature	11
Recommended drinking temperature	11

Thank you for buying your new Caple wine cabinet. To ensure that you get the best results from your new purchase, we strongly suggest that you read this instruction manual thoroughly before use. This manual contains installation advice, usage instructions and other important facts about your wine cabinet. If treated with care your Caple wine cabinet should give you many years of trouble free use.

IMPORTANT WARNINGS AND ADVICE

- Unpack your wine cabinet carefully and remove all of the protective packing from inside and outside.
- Packing (plastic bags, polystyrene, nails, metal, etc.) must not be left within the reach of children as they are a potential source of danger.
- After unpacking, make sure that the appliance is in perfect order. If you have any doubt, do not use it and contact your retailer.
- Check that all the fittings are in the correct position on the inside of the cabinet.
- Release the mains lead which is fitted with a 13 amp UK type plug.
- Move your wine cabinet to its final location.
- **DO NOT MOVE YOUR CABINET WHILE LOADED WITH WINE** as this could distort the cabinet.
- Ensure that the specified ventilation instructions are adhered to.
- Do not try to modify the appliance's technical characteristics as this could be dangerous.
- This appliance is intended to be used exclusively for the storage of wine. It is not designed for food storage.
- Do not clean or maintain the appliance without disconnecting it first.
- To prevent damaging the door gasket, make sure that the door is fully open when pulling shelves out.
- Ensure that you fully understand these instructions before operating this appliance.
- Caple are NOT responsible for: -
 1. Damage caused by incorrect, mistaken or irrational use.
 2. Any errors in this manual or for any damage linked to or following the provision, performance or use of any wine cabinet.
- Due to our policy of constant product improvement the information in this document is subject to modification without prior notice.
- This product is not designed for commercial use, it is a household appliance only. It is not intended to be used in:
 - Staff kitchen areas in shops, offices and other working environments
 - Bed and breakfast type environments
 - By clients in hotels, motels and any other residential type environments
- This appliance is intended to be used exclusively for the storage of wine.

Disposal of old appliances

Discarded appliances are potentially dangerous to children.

Before you throw away your old wine cabinet:

- Remove the door. Leave the shelves in place so that children cannot easily climb inside.
- Never allow children to operate, play with, or climb inside the appliance.

This product should not be treated as household waste and should be recycled. Please take it to your nearest collection facility, for further details contact your local council.

Installation instructions

IMPORTANT: Once in the final location wait 12 hours before switching your wine cabinet on for the first time

Before turning the wine cabinet on ensure it is perfectly level, this will minimise any vibrations. Your cabinet is equipped with 4 adjustable feet. However, we recommend that you tighten the back feet to the maximum and then use the front feet to level the cabinet.

Safety Instructions

- A fan evacuates heat via the bottom vents.
- It must be installed well away from any heat source.
- It must not be placed in direct sun light.
- It must not be in a damp location (laundry, pantry, bathroom, etc)
- It must be perfectly level.
- It must have a correctly installed and reliable electricity supply correctly earthed.
- Use of a multi-socket or extension lead is not recommended.
- This wine cabinet must be earthed to provide protection in the event of an electrical short circuit.
- It is fitted with a power cord having an earth wire terminating in a 13amp plug.
- Consult a qualified electrician or service engineer if the earthing instructions are not completely understood.

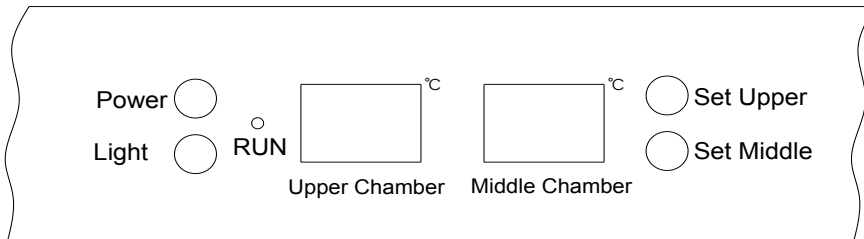
WARNING: incorrect earthing can result in electric shock.

Operating your wine cabinet and setting the temperature

The wine cabinet should be placed where the ambient temperature is between 16-32 deg centigrade. If the ambient temperature is above or below this range, the performance of the unit may be affected. For example, placing your unit in extreme cold or hot conditions may cause interior temperatures to fluctuate and prevent it reaching the set temperature.

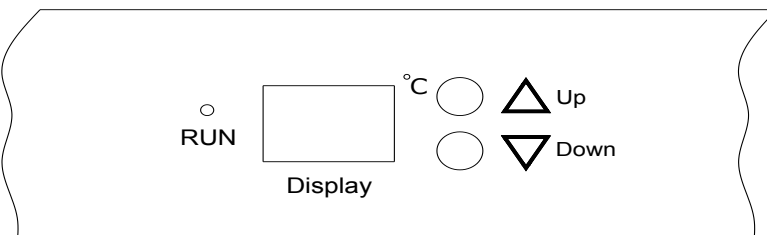
Control panel

The upper zone and middle zone:



- RUN
Indicator light illuminates to signify the cooling mode is currently in operation.
- Light
To switch the inner light on/off.
- Power
To switch this appliance on/off.
- "Set Upper" Button
To set the temperature of the upper chamber.
- "Set Middle" Button
To set the temperature of the middle chamber.
- "Up Chamber"
Displays the temperature of the up chamber.
- "Middle Chamber"
Displays the temperature of the middle chamber.

The Lower zone



- "Up" Button
Used to raise (warm) the temperature by 1°C.
- "Down" Button
Used to lower (cool) the temperature by 1°C.
- "Display"
Shows the temperature of the lower compartment.

Setting the temperature

Each cooling compartment of the wine cooler is independently controlled. To set the temperature:

- Connect the power cord to a properly grounded outlet. In the event of a power interruption, all previous temperature settings are automatically erased and each compartment will default to a preset temperature setting of: 7°C for upper compartment, 7°C for middle compartment and 12°C for lower compartment.
- Upper and Middle compartment: Set the desired cooling temperature by pressing the buttons adjacent to the "Set Upper/Set Middle" program. Each depression of the buttons will scroll through the available temperature settings (for each compartment) in increments of 1 degree. The temperature selected will flash in the LED display for approximately 5 seconds, then revert back to display the set temperature of the cabinet.

Upper compartment: The temperature setting can be adjusted from 5°C to 18°C.

Middle compartment: The temperature setting can be adjusted from 5°C to 10°C.

- Lower compartment: Set the desired cooling temperature by pressing the buttons adjacent to the "UP/DOWN" program. Each depression of the buttons will scroll through the available temperature settings in increments of 1 degree. The temperature selected will flash in the LED display for approximately 5 seconds, then revert back to display the set temperature of the cabinet. The temperature setting can be adjusted from 10°C to 18°C.

NOTE:

If the unit is unplugged, if power is lost, or turned-off, you must wait 3 to 5 minutes before restarting the unit. If you attempt to restart before this time delay, the wine cabinet will not start.

When you use the wine cabinet for the first time or restart the wine cabinet after it has been switched off for a long time, there could be a few degrees variance between the temperature you select and the one indicated on the LED readout. This is normal and it is due to the length of the activation time. Once the wine cabinet has been running for a few hours, the temperature display will re-gain accuracy.

Internal light

In order to reduce energy consumption, the LED light within this wine cabinet will automatically switch off after 10 minutes. If you would prefer the LED light to remain on continuously, this is possible. Please press and hold the "LIGHT" button for 5 seconds, the display will show "LP". After 4 seconds the display will revert back to normal and the light will remain on until manually switched off.

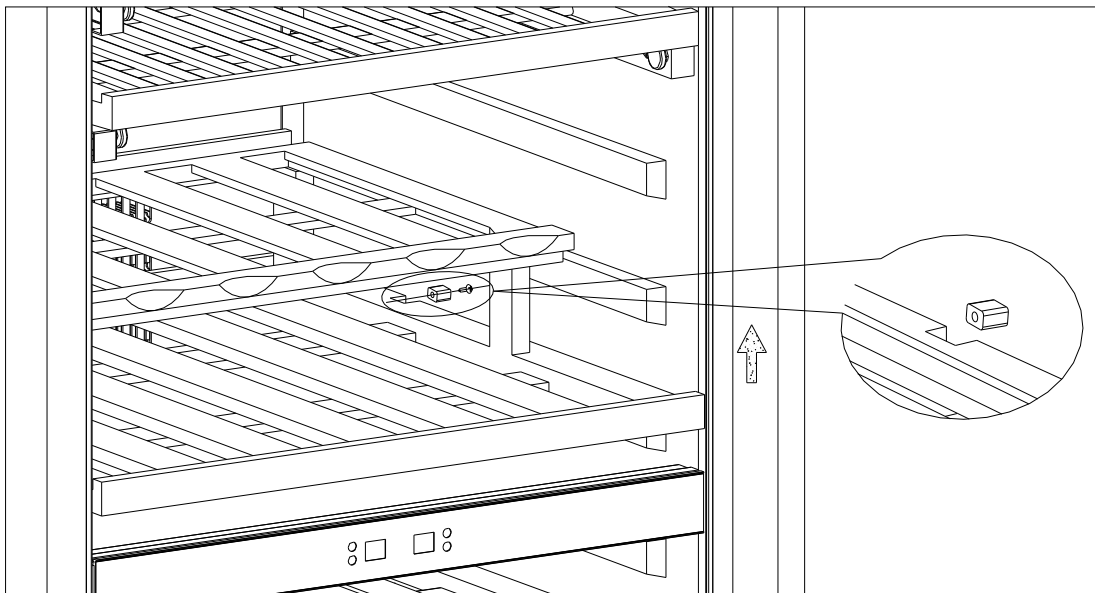
If you would like to revert back and conserve energy (recommended), press and hold the "LIGHT" button for 5 seconds, the display will show "LF". After 4 seconds the display will revert back to normal, and the light will automatically switch off after 10 minutes.

Locking the door

The door lock keys are located inside the plastic bag that contains the instruction manual. Insert the key into the lock and turn it anticlockwise to unlock the door. To lock the door do the reverse operation making sure metal pin is engaged completely. Remove the key and place it in a secure place for safekeeping.

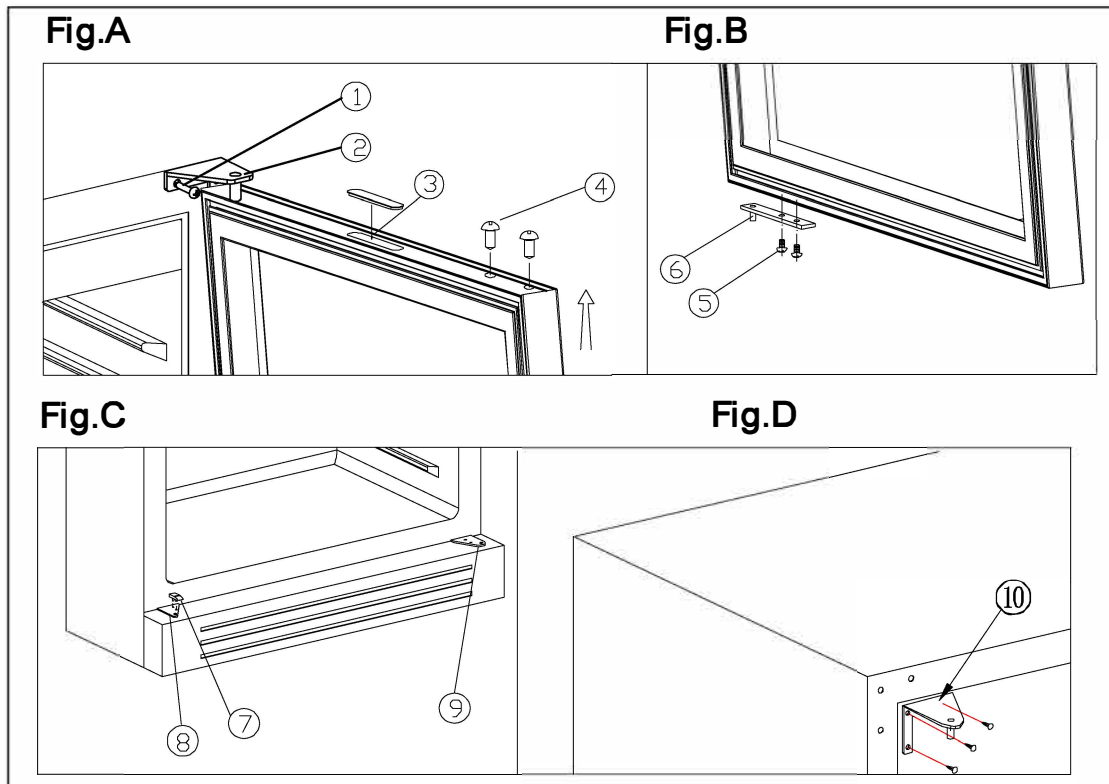
Using the shelves

- To prevent damaging the door gasket, make sure the door is fully open when pulling shelves out of the rail compartment.
- For easy access to the storage content, you must pull the shelves approximately 1/3 out of the rail compartment; however this unit was designed with a notch on each side of the shelf tracks to prevent bottles from falling.
- Place the shelf gap (left and right) under the square plastic block, lift the shelf, then pull the shelf from the wine cabinet.



How to change the door opening

This appliance has reversible doors but is delivered with a right hinged door. The left hand hinge kit comes with the unit (in the box), should you wish to reverse the hinge on your unit.



- | | | |
|----------------------|-----------------------|------------------------------|
| 1. Screws | 2. Top hinge (right) | 3. Lockhole decorative cover |
| 4. Decorative nail | 5. Screws | 6. Door axis(right) |
| 7. Door bracket | 8. Lower hinge (left) | 9. Lower hinge (right) |
| 10. Top hinge (left) | | |

1. Take out the 3 screws (1) from top hinge (right) (2) and remove the top hinge (right), then remove the door. (Fig.A)
2. Store the door safely and take out the lock hole decorative cover (3) and decorative nail (4) from top of door frame, unscrew 2 screws (5) at bottom and remove the door axis(right) (6), then install the lock hole decorative cover(3) and decorative nail (4) at bottom, please install the spare left door axis at top of door frame. (Fig.B)
3. Remove the door bracket (7) from lower hinge (left)(8) and install it at lower hinge (right) (9) . (Fig.C)
4. Rotate the door 180 degrees, install the door axis at lower hinge (left) and install the door onto lower hinge (left), then close the door carefully.
5. Fix spare top hinge (left) (10) onto left top of cabinet with 4 screws (1), then adjust door. (Fig.D)

Note: This is a two person operation.

Care and maintenance

Cleaning your wine cabinet

- Turn off the power, unplug the appliance, and remove all items including shelves and rack.
- Wash the inside surfaces with a warm water and baking soda solution. The solution should be about 2 tablespoons of baking soda to 2 pints of water.
- Wash the shelves with a mild detergent solution.
- Wring excess water out of the sponge or cloth when cleaning area of the controls, or any electrical parts.
- Wash the outside cabinet with warm water and mild liquid detergent. Rinse well and wipe dry with a clean soft cloth.

Power failure

- Most power failures are corrected within a few hours and should not affect the temperature of your appliance if you minimise the number of times the door is opened. If the power is going to be off for a longer period of time, you need to take the proper steps to protect your contents.

Vacation time

- Short vacations: Leave the wine cabinet operating during vacations of less than three weeks.
- Long vacations: If the appliance will not be used for several months, remove all items and turn off the appliance. Clean and dry the interior thoroughly. To prevent odour and mould growth, leave the door open slightly (blocking it open if necessary).

Moving your wine cabinet

- Remove all items.
- Securely tape down all loose items (shelves) inside your appliance.
- Wind the adjustable legs up to the base to avoid damage.
- Tape the door shut.
- Be sure the appliance stays secure in the upright position during transportation. Also protect outside of appliance with a blanket, or similar item.

Energy saving tips

- The wine cabinet should be located in the coolest area of the room, away from heat producing appliances, and out of the direct sunlight.

Problems with your wine cabinet

You can solve many common wine cabinet problems easily, saving you the cost of a possible service call. Try the suggestions below to see if you can solve the problem before calling Caple Service.

Troubleshooting Guide

PROBLEM	POSSIBLE CAUSE
The wine cabinet does not operate.	Not plugged in. The appliance is turned off. The circuit breaker tripped or a blown fuse.
The wine cabinet is not cold enough.	Check the temperature control setting. External environment may require a higher setting. The door is opened too often. The door is not closed completely. The door gasket does not seal properly.
The compressor turns on and off frequently.	The room temperature is hotter than normal. A large amount of contents has been added to the wine cabinet. The door is opened too often. The door is not closed completely. The temperature control is not set correctly. The door gasket does not seal properly.
The light does not work.	Not plugged in. The circuit breaker tripped or a blown fuse. The bulb has burned out. The light button is "OFF".
Vibrations.	Check to ensure that the wine cabinet is level.
The wine cabinet seems to make too much noise.	The rattling noise may come from the flow of the refrigerant, which is normal. As each cycle ends, you may hear gurgling sounds caused by the flow of refrigerant in your Wine cabinet. Contraction and expansion of the inside walls may cause popping and crackling noises. The wine cabinet is not level.
The door will not close properly.	The wine cabinet is not level. The door was reversed and not properly installed. The gasket is dirty. The shelves are out of position.

Caple Service contact details

If after using the Troubleshooting Guide you have been unable to solve the problem, please contact Caple Service by telephoning 0844 800 3830 or alternatively email service@caple.co.uk.

Defrosting/condensation

Your wine cabinet is designed with an "Auto-cycle" defrost system. When the RUN cycle is OFF, the refrigerated surface of the wine cabinet (interior rear wall) defrosts automatically. The defrost water is channelled into a drain pan which is located at the back of the wine cabinet next to the compressor from where it evaporates.

The humidity system

The wine cabinet is equipped with a system for maintaining the correct level of humidity. If humidity is too low, insert the small plastic reservoir on to the top shelf. Fill this reservoir 3/4 full with water. Check the water level occasionally and refill as necessary.

Recommended storage temperatures

For storage of ALL TYPES OF WINES 12 °c to 14 °c

Recommended drinking temperatures

Champagne NV, Sparkling	6 °c
Champagne Vintage	10 °c
Dry White Semillon, Sauvignon Blanc	8 °c
Dry White Gewürztraminer, Riesling	10 °c
Dry White Chardonnay	10 °c
Vintage Chardonnay	14 °c
Sweet White Sauternes Monbazillac, Late Harvest ice wine	10 °c
Sweet whites vintage Sauternes	14 °c
Beaujolais	13 °c
Red Pinot Noir	16 °c
Red Cabernet, Merlot, French, Australian, New Zealand, Chilean, Argentinean, Italian, Spanish, Californian	18 °c
Red Grenache, Syrah	16 °c

Caple
Fourth Way
Avonmouth
Bristol
BS11 8DW

www.caple.co.uk