

## Instruction manual for integrated tumble dryer

Model code: TDI111



# Contents

Important user information

Installation

The filter

Operating instructions

Drying your laundry

Door and decor door reversal

Technical data and troubleshooting guide

## **IMPORTANT USER INFORMATION**

**These notes are provided in the interest of safety.**

**You must read them before installing or using the appliance.**

–This tumble dryer is intended for **NORMAL DOMESTIC USE ONLY.**

### **SECTION 1: BEFORE USE**

\* Safety warnings

These notes are provided in the interest of safety.

You must read them before installing or using the

appliance. - This appliance can be used by children

aged from 8 years and above and persons with

reduced physical, sensory or mental capabilities or

lack of experience and knowledge if they have been

given supervision or instruction concerning use of

the appliance in a safe way and understand the

hazards involved. Children shall not play with the

appliance. Cleaning and user maintenance shall not

be made by children without supervision. Children

of less than 3 years should be kept away unless

continuously supervised.

-Adequate ventilation must be provided to avoid

back flow of gases into the room from appliances

burning other fuels, including open fires.

-Exhaust air must not be discharged into a flue

which is used for exhausting fumes from appliances

burning gas or other fuel.

- Please note it is not recommended that the dryer is placed directly next to ovens or cookers as the performance of the dryer may be affected.
- A carpet must not obstruct the ventilation openings in the base of the dryer.
- Do not stack the tumble dryer on top of other appliances without the correct stacking kit.
- Any electrical work required to install the appliance should be carried out by a qualified person.
- It is important to clean the lint filter after each drying cycle or the restrictions to airflow will extend drying times and could cause the safety cut-out to trip.
- Under no circumstances should anything other than the recommended articles be placed in the tumble dryer.
- The tumble dryer should be serviced by an appointed service organisation and only genuine parts used.
- It is dangerous to alter or modify the product in any way other than fitting authorized accessories.
- We recommend that the appliance is unplugged each time after use. It should always be disconnected from the electricity supply for long periods (i.e. weekends, if it is to be left unattended for holidays etc.)
- The rear of the dryer gets quite hot during use. Position the dryer so that the back is not accessible while in operation, but ensure that the sides have a space available to allow airflow.

-The special mains cable and plug assembly must only be replaced with a genuine part by the manufacturer or his service agents in order to avoid a hazard.

- It is important to clean fluff from the window of the dryer and around the door seal after each drying cycle. Failure to do so could result in water leaking.

**WARNING:** If you need to stop the tumble dryer before the end of a drying cycle, ensure that the load and appliance are cooled by utilizing the cooldown period denoted on the control panel. Once the load is removed, all items need to be quickly spread out so that any residual heat is dissipated.

Remove all objects from pockets such as lighters and matches.

**DO NOT** use a two-way adaptor, or extension lead. The dryer must be connected to its own socket.

**DO NOT** block the air inlets at the base and side of your dryer.

**DO NOT** allow fluff to accumulate around the tumble dryer. Risk of fire

**DO NOT** exceed the recommended maximum load.

**DO NOT** dry unwashed items in the tumble dryer

**DO NOT** place articles in the dryer if anything other than a water solution has been used in the cleaning process.

**DO NOT** attempt to dry dripping wet articles.

**DO NOT** use the tumble dryer if you suspect that it is damaged in any way. Under no circumstances should you attempt to repair the appliance yourself. Repairs carried out by inexperienced persons may cause serious injury.

- Consult your local appointed service engineer and insist on genuine spare parts.

- The dryer must be installed by a Registered Installer. - Any electrical work required to install the appliance should be carried out by a qualified person.

- The tumble dryer should be serviced by an appointed service organisation and only genuine parts used.

- It is recommended that the dryer be serviced annually by a person competent to service tumble dryers.

- Under no circumstances should you attempt to repair the appliance yourself. Repairs carried out by inexperienced persons may cause serious injury. Consult your local appointed service engineer and insist on genuine spare parts.

- The special mains cable and plug assembly must only be replaced with a genuine part available from the manufacturer or service agent.

- Keep the packing materials from your machine away from children to avoid hazards.
- Keep pets away from your machine.
- Your machine is designed for use in a domestic environment. The warranty will be invalid if you use it for commercial purposes.
- It could be possible for a child or pet to gain access to the tumble dryer through the porthole door. Therefore please check the drum before using the appliance.
- Any packaging that is removed from the machine should be kept away from children.

**DO NOT** - use a two-way adaptor, or extension lead. The dryer must be connected to its own socket.

**DO NOT** - block the air inlets at the front and back of your dryer.

**DO NOT** - exceed the recommended maximum load.

**DO NOT** - place articles in the dryer if anything other than a water solution has been used in the cleaning process.

**DO NOT** - dry unwashed items in the tumble dryer.

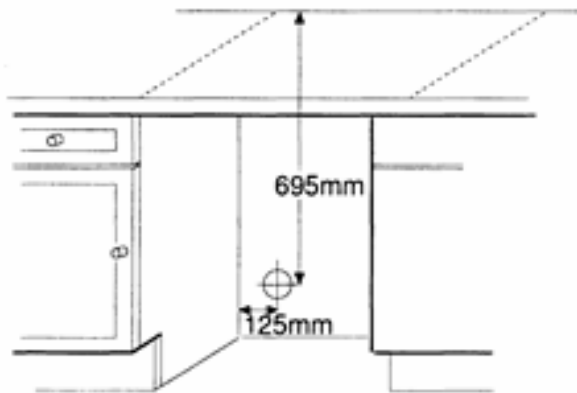
**DO NOT** - attempt to dry dripping wet articles.

**DO NOT** - use the tumble dryer if you suspect that it is damaged in any way.

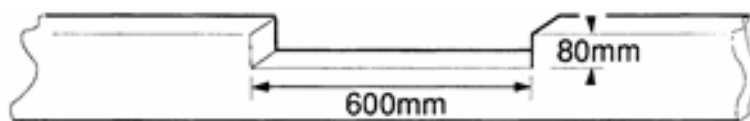
## Installation

The tumble dryer is fully compatible with any 600mm deep kitchen units and complies with stringent EEC regulations.

Your dryer is provided with a vent hose which will extend to approx 2.4m (8ft). We strongly recommend that this is vented through the wall with the attachment provided. The position of the hole (100mm diameter) for the vent directly behind the tumble dryer is shown in the diagram.



If the through the wall vent is to be positioned anywhere other than behind the dryer, the vent hose should be positioned at floor level and through adjacent side panel to a relevant position. The plinth must be cut out to accommodate the air vent grill at the bottom front of the tumble dryer (see the dimensions below).



### IMPORTANT

The air vent at the front of the appliance must never be covered or blocked in any way as this will cause the dryer to overheat.

This appliance must not be installed behind a lockable door, a sliding door or a door with hinges on the opposite side to that of the tumble dryer.

The dryer should not be placed directly next to ovens or cookers, as the performance of the dryer may be affected.

**Electrical connections:** We strongly recommend that any electrical work is carried out by a qualified person complying with the IEE 17<sup>th</sup> addition of the electrical regulations.



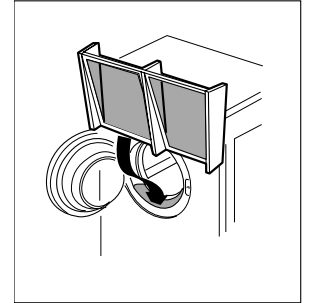
## IMPORTANT

Please remember that the tumble dryer must be capable of being switched off (disconnected from the supply), when fitted in position.

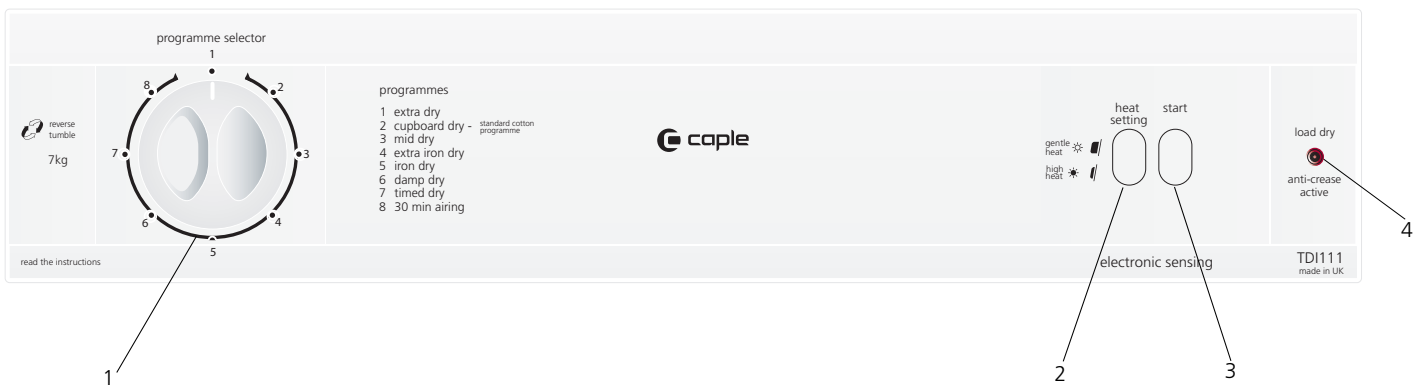
## The filter

The filter is found, as seen from the diagram, by opening the door and must always be in position when drying items in the appliance.

To allow the dryer to operate efficiently it should be cleaned after each drying cycle. Do not be alarmed by the amount of fluff deposited on the mesh. It is not due to excessive wear caused by the dryer but more an indication of its efficient operation. All fabric loses fluff when drying but it goes unnoticed into the air. In a tumble dryer it simply collects in the filter. Simply pull out the filter, remove the fluff and reposition it back into the dryer.



## Control panel guide



- 1. PROGRAMME SELECTOR:** Choose the final dryness of the load by selecting the desired dryness setting (see the programme chart). The dryer will stop automatically when the chosen dryness is achieved. Note: the use of an iron dry programme will use 30% less energy than a cupboard dry programme.
- 2. HEAT SETTINGS:** High - For fabrics insensitive to higher temperatures, such as cotton.  
Low - For temperature sensitive clothes.
- 3. START BUTTON:** Press to start the drying cycle.

4. ANTI-CREASE ACTIVE NEON When lit constantly, the neon indicates that the drying cycle is completed and clothes can be removed. To reduce creasing of clothes, anti-crease will automatically start once the drying cycle is complete.

#### PROGRAMME DESCRIPTIONS

1. extra dry
2. cupboard dry – standard cotton programme
3. mid dry
4. extra iron dry
5. iron dry
6. damp dry
7. timed dry
8. 30 mins airing

Program 1 - Extra dry: clothes are dry enough to be put away

Program 2 - Cupboard dry: clothes are dry enough to be put away

Program 3 - Mid dry: depending upon fabric, clothes are generally dry enough to be put away

Program 4 - Extra iron dry: clothes are almost dry but can be easily ironed

Program 5 - Iron dry: clothes are slightly damp and ready to be ironed

Program 6 - Damp dry: clothes are damp and ready to be ironed

Program 7 - 30 minute timed drying program

Program 8 - 30 minute timed `airingE program; useful for freshening up clothing.

Programs 1–7 can be operated on either full heat or half heat setting and have a 12 minute cool-down period at the end of the cycle

Program 8 operates without the heater (regardless of the heat switch setting), circulating air through the dryer at the ambient temperature.

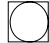

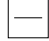
**PLEASE NOTE: THE DRYER WILL CONTINUE TO RUN IN ANTI-CREASE MODE UNTIL THE DOOR IS OPENED**

## Drying you laundry

### BEFORE DRYING

Check the care labels inside the garments

### Care labels you may find on your fabrics

	'Tumble drying beneficial'
	'Do not tumble dry'
	'Dry flat'

Do not tumble dry woolen or wool mixture articles unless the article is labelled to be suitable due to possibility of shrinkage.

Place delicate articles, e.g. tights and scarves, inside a pillowcase.

Sort out the clothes into groups of similar fabrics and colours.

Check the care label inside the garment.

We suggest that a fabric conditioner be used to reduce static electricity.

Delicate articles e.g. tights should be placed inside a pillowcase.

It is better to dry small and large articles together.

Do not dry unwashed items in the tumble dryer.

Remove all objects from pockets such as lighters and matches.

To avoid the need to iron easy care polyester/cotton items it is better to only dry small loads (i.e. half fill the drum).

It is better to dry small and large articles together.

Do not overload the dryer or dry large bulky items such as duvets or sleeping bags as it is important that the air flow through the dryer is not obstructed.

## **Running the machine**

The standard cotton programme is suitable to dry normal wet cotton laundry. It is the most efficient programme in terms of energy consumption for drying wet cotton laundry.

Your dryer is a reversing, small door opening appliance. A full load will typically take 135 minutes and will use approximately 4.39kWh of electricity. A half load will typically take 76 minutes and will use approximately 2.38 kWh of electricity.

The power consumption of the off-mode and the left-on mode is zero.

## **Operation**

Open the door.

Load clothes loosely into the drum.

Load sheets first starting with one corner.

Close the door.

Dry your hands

Switch on the machine at the socket.

Select correct heat position (See the programme chart on the fascia panel).

Set the programme to the required dryness setting (See the programme chart on the fascia panel).

Press the start button.

The drum will rotate in anticlockwise direction for a short period of time.

The drum will then begin to rotate clockwise and will stop automatically when your clothes are dry. The drum will stop and rotate anti-clockwise every few minutes to reduce creasing.

There is an automatic 12-minutes cool down period at the end of every cycle, during which the heater is switched off. This is to help minimize creasing.

After each of the programmes, the machine goes into anti-crease. This feature rotates the drum briefly every 6 minutes until the dryer is stopped or the door is opened.

**NOTE: NEVER SWITCH THE DRYER OFF AND LEAVE A HOT LOAD IN THE DRUM DUE TO A RISK OF FIRE.**

To stop the machine during a programme, simply open the door, the drum will stop rotating automatically and restart when you close the door. Press the start button to restart the machine.

**WARNING:** Never stop a tumble dryer before the end of a drying cycle unless all items are quickly removed and spread out so that heat is dissipated.

**AFTER REMOVING THE DRIED CLOTHES: ALWAYS CLEAN THE FILTER.**

Failure to clean the filter will extend drying times and cause the safety cut-out to operate. Pull the filter upwards and away from the appliance. Remove threads or fluff by hand or with a soft brush. Slide the filter back. Wash the filter occasionally in detergent solution and with a soft brush to remove small particles.

### To avoid minor faults

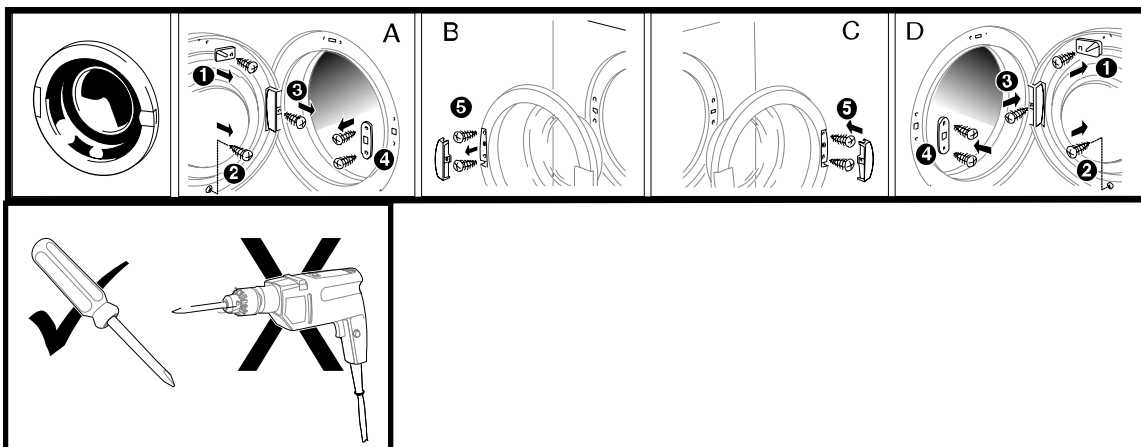
If the clothes are not dry after normal drying time:  
Check that you used the correct heater setting.  
Check the fuse in the moulded plug.  
Check that the lint filter has been cleaned. A blocked filter will restrict the airflow.  
Check that your dryer is heating, the right side below the door should feel warm after the first 10 to 15 minutes of its programme. Failure to heat may indicate the safety cut-out has operated. To reset, simply press the red button at the rear of the machine. If operated, a sharp click will be heard. This cut-out only operates if the air flow is severely restricted so make sure the filter is clean, the air inlets and outlets at the front and back are not blocked, and that all other restrictions are removed before restarting. If the cut-out continues to operate after checking the above points, you should contact Caple Service.

Your dryer is designed to operate in a room temperature range of 5°C to 30° C.

## Door reversal

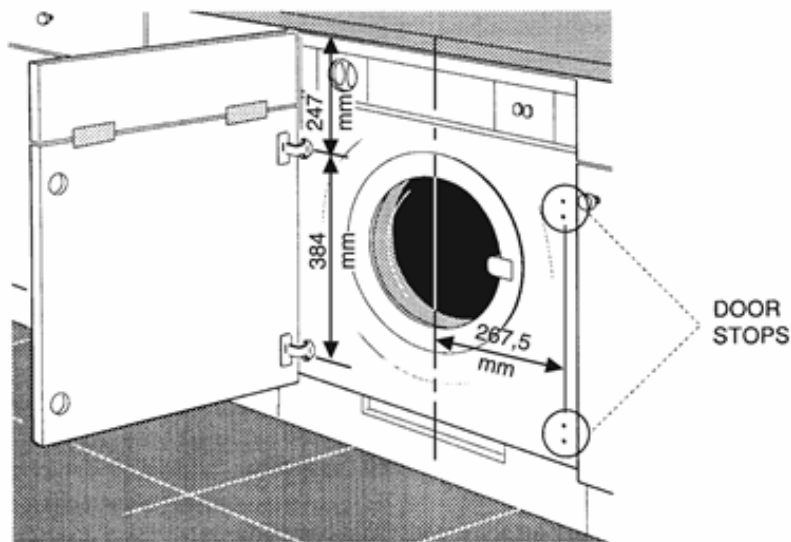
### Appliance door

The door on the dryer can be positioned either with the left or right hand hanging. Please follow illustrations below to change the door position.



## The furniture door

The hinges can be fastened through the pre-drilled holes on either the left or right hand with the door stops being fitted on the other side.



## Technical data

Overall dimensions : height 86.5 - 89cm width 59.5cm depth 53cm  
Maximum dry weight of cotton, linen 7.0kg synthetics 7.0kg.

For electrical ratings see plate on rear of machine.

Fuse rating: 13amp.

### Don'ts.

**Do not** - Overload the dryer.

**Do not** - Dry articles singly as they tend to roll up and so increase drying time.

**Do not** - Dry woolen or wool mixture articles unless the article is labeled as suitable.  
This should avoid shrinkage.

**Do not** - Allow venting hose (where applicable) or filter to become blocked.

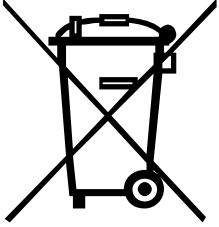
**Do not** - Allow fluff to accumulate around the tumble dryer.

**NEVER SWITCH THE DRYER OFF AND LEAVE A HOT LOAD IN THE DRUM - RISK OF FIRE.**

## Troubleshooting

If the clothes are not dry after normal drying time:

- Check that the filter is clean.
- Check that you used the correct heat setting.
- Check that the venting hose is not blocked (sometimes a strong wind may cause a back pressure).
- Check that you have not set the timer within a cool down period.



This appliance is marked according to the European Directive 2012/19/EU on Waste Electrical and Electronic Equipment (WEEE). This guideline is the frame of a European wide validity of return and Recycling on Waste Electrical and Electronic Equipment.

	LAV SDO Sense
Suppliers name or trade mark	CAPLE
Model identifier	TDI111
Rated capacity at full load	7kg
Appliance type	Air Vented
Energy efficiency class	C
Energy consumption of the appliance*	519kWh
<p>The figures above is based on 160 drying cycles of the standard cotton programme at full and partial load and the consumption of the low-power modes. Actual energy consumption per cycle will depend on how the appliance is used.</p>	
Automatic/non-automatic	Automatic
EU Ecolabel	N/A
$E_{dry}$	4.39kWh
$E_{dry\frac{1}{2}}$	2.38kWh
$Eg_{dry}$	N/A
$Eg_{dry\frac{1}{2}}$	N/A
$Eg_{dry,a}$	N/A
$Eg_{dry\frac{1}{2},a}$	N/A
Off mode power ( $P_o$ )	0W
Left on mode power ( $P_l$ )	0W
Duration of left-on mode	N/A
<p>The standard cotton programme used at full and partial load is the standard drying programme to which the information in the label and the fiche relates. This programme is suitable for drying normal wet cotton laundry. It is the most efficient programme in terms of energy consumption for cotton.</p>	
$T_t$	101mins
$T_{dry}$	135mins
$T_{dry\frac{1}{2}}$	76mins
Condensing efficiency class	N/A
$C_t$	N/A
$C_{dry}$	N/A
$C_{dry\frac{1}{2}}$	N/A
Sound power level	62dBA
Built in/not built in	Model TDI111 is intended on being built in. All other models are not intended on being built in.

Caple  
Fourth Way  
Avonmouth  
Bristol  
BS11 8DW  
[www.caple.co.uk](http://www.caple.co.uk)