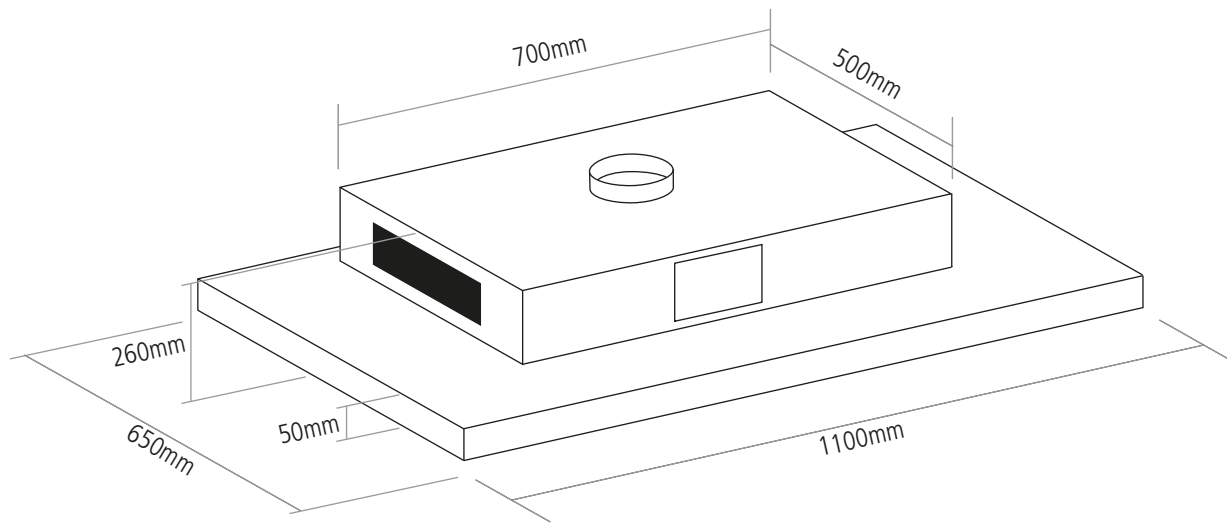


DIMENSIONS



MINIMUM BUILD IN DEPTH 215MM