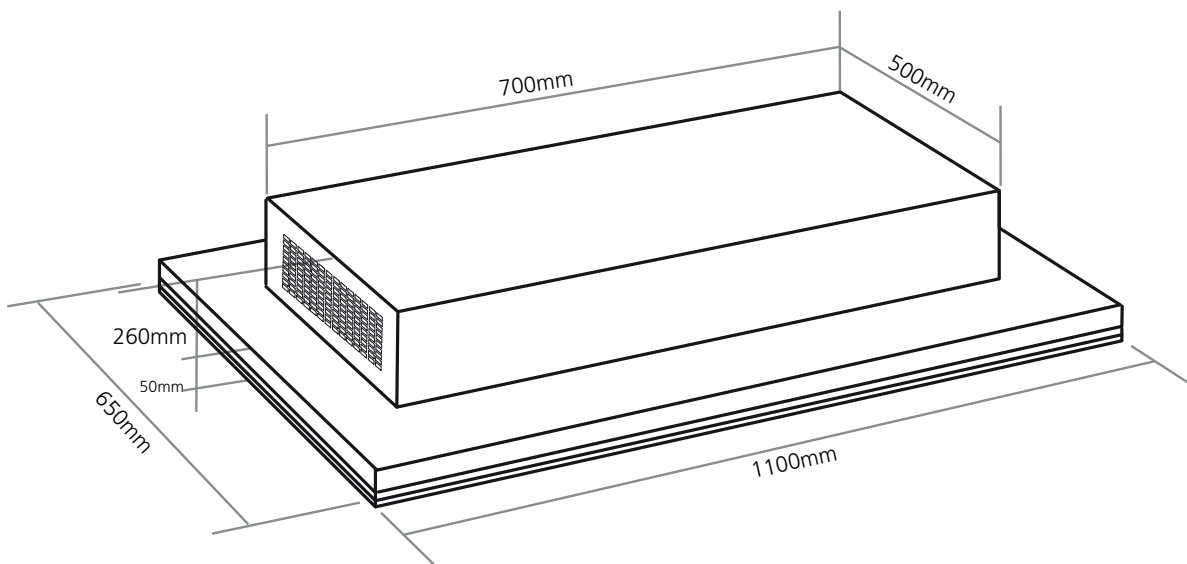


Product installation diagrams

Models:
CE1121
CE1121SS



Minimum build in depth 215mm
