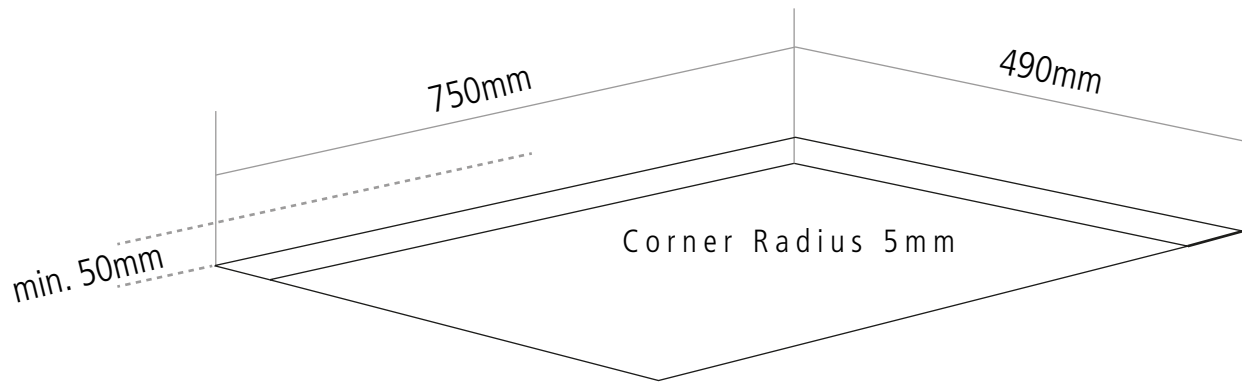
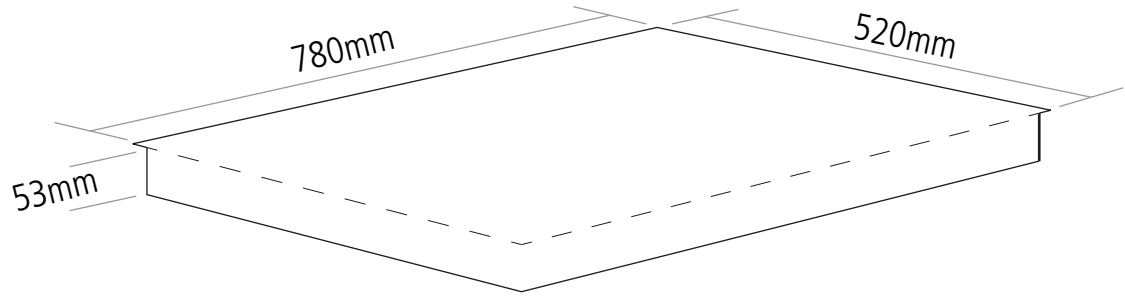


DIMENSIONS



A minimum gap of 20mm is required beneath the hob fans, and a 4mm gap must be left under the worktop at the front of the hob for ventilation.