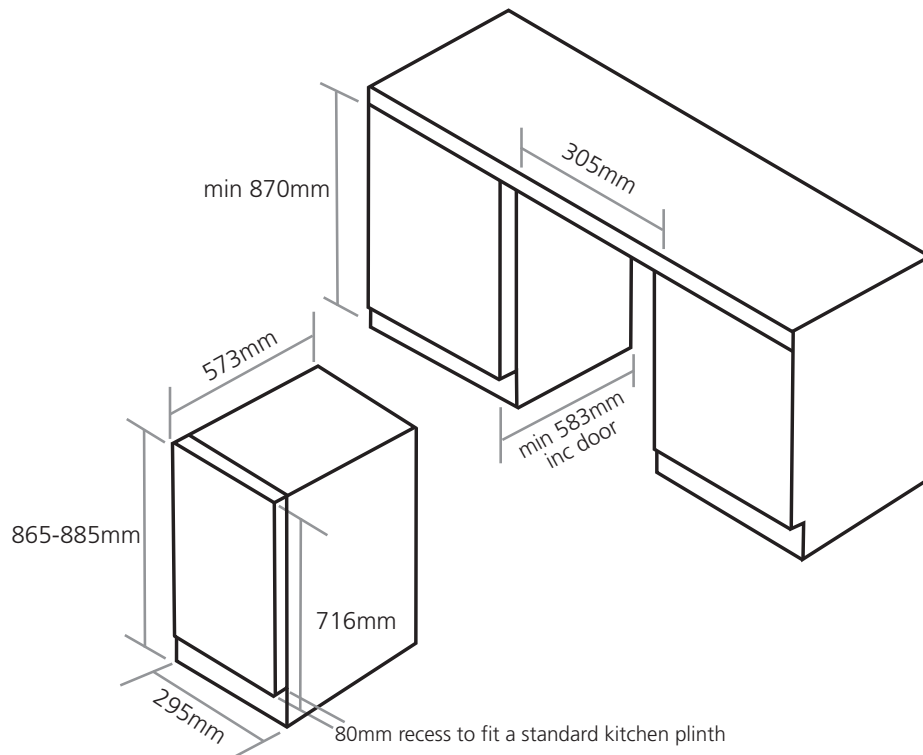


Product installation diagrams

Models:
Wi3114



NOTE: H 50mm vent slot required in plinth
