

**Side-by Side
Refrigerator
1/4" Trim and Handle
Conversion Kits
Installation
Instructions
HTBK204
HK204**

⚠️ RECOGNIZE THIS SYMBOL AS A SAFETY PRECAUTION

⚠️ WARNING

To avoid electrical shock which can cause severe personal injury or death, disconnect power to refrigerator before installing kit. After installing kit, reconnect power.

⚠️ CAUTION

To avoid property damage, protect soft vinyl or other flooring with cardboard, rugs, or other protective material.

⚠️ CAUTION

To avoid personal injury, protect hands and arms. Trim pieces may have sharp edges.

Important

Read entire instructions before installing kit. Confirm all parts listed are included in kit. If parts are missing, contact source from whom kit was purchased. All parts in kit will not be used in some installations.

- Mechanical experience is required to install trim kit.
 - Depending on installer's knowledge and skill, installation can take one to three hours.
 - Transfer food to an alternate cooling source. Check refrigerator warranty certificate for specific coverage.
- Warranty does not cover food loss.**
- Ensure trim pieces adhere properly by confirming door surfaces are clean, dry and free of adhesive residue.
 - If unable to solve a problem during installation, contact source from whom kit was purchased.

Where to start

- If installing HK204 to replace a current handle, proceed to the handle removal section corresponding to your current handle. If installing handles on new refrigerator complete step 3 on page 4 then proceed to *Installing New Handle Section*
- If installing HTBK204 proceed to *Procedure* section on opposite page.
- When installing a HTBK204 kit a facade replacement kit is necessary.

Facade Replacement Kits

In replacing facade refer to installation instructions provided with facade kits.

Decorator Panel Dimensions

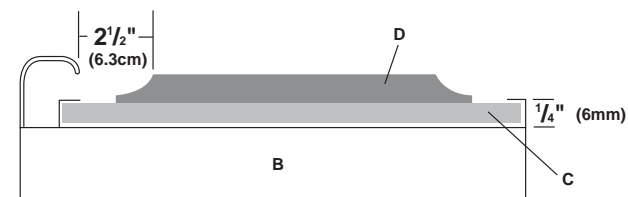
Listed below are required height and width dimensions for decorator panels. Panels are not supplied with this kit but can be purchased locally.

⚠️ CAUTION

To avoid personal injury or property damage, total panel weight on a single door should not exceed 30 pounds (14 kg).

HTBK204		
Panel Sizes		
Refrigerator Door	66 ³ / ₄ in	18 ¹⁵ / ₁₆ in
	169.5 cm	48.1 cm
I&W Door Upper	18 ¹ / ₈ in	13 ¹⁵ / ₁₆ in
	46.0 cm	35.4 cm
I&W Door Lower	32 ³ / ₃₂ in	13 ¹⁵ / ₁₆ in
	81.5 cm	35.4 cm
Non/I&W Door	66 ³ / ₄ in	13 ¹⁵ / ₁₆ in
	169.5 cm	35.4 cm

Typical Panel Installation

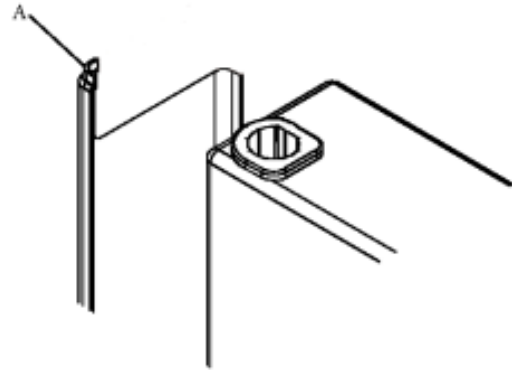


A. Handle B. Backer Panel
C. Door Panel D. Raised

NOTE - Contact a cabinetmaker or carpenter to create door panels

Important

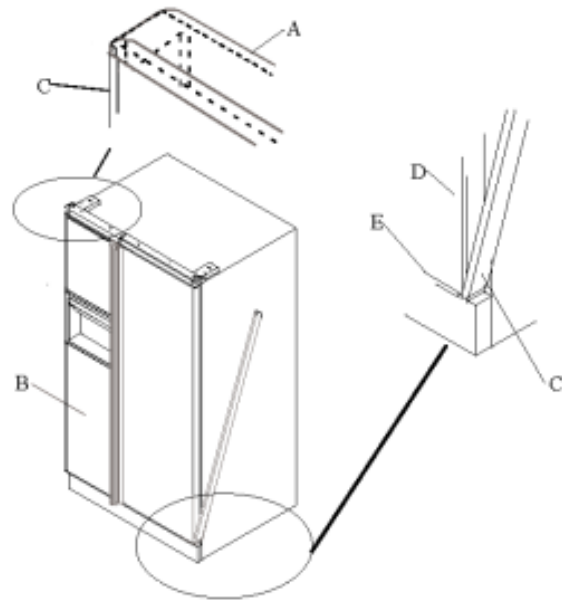
Permanent double-sided tape is used to attach side trim pieces to refrigerator. Before moving paper backing, check placement of all trim pieces on doors and inspect panel positioning. Side trim pieces may be damaged if adjustment or removal is attempted after side trim pieces have been installed. (Following illustration shows side trim orientation).



A. HTBK204 side trim

Side trim orientation

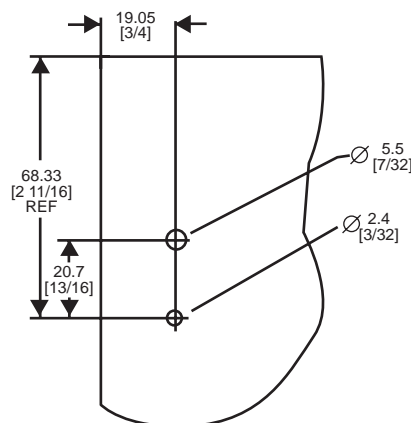
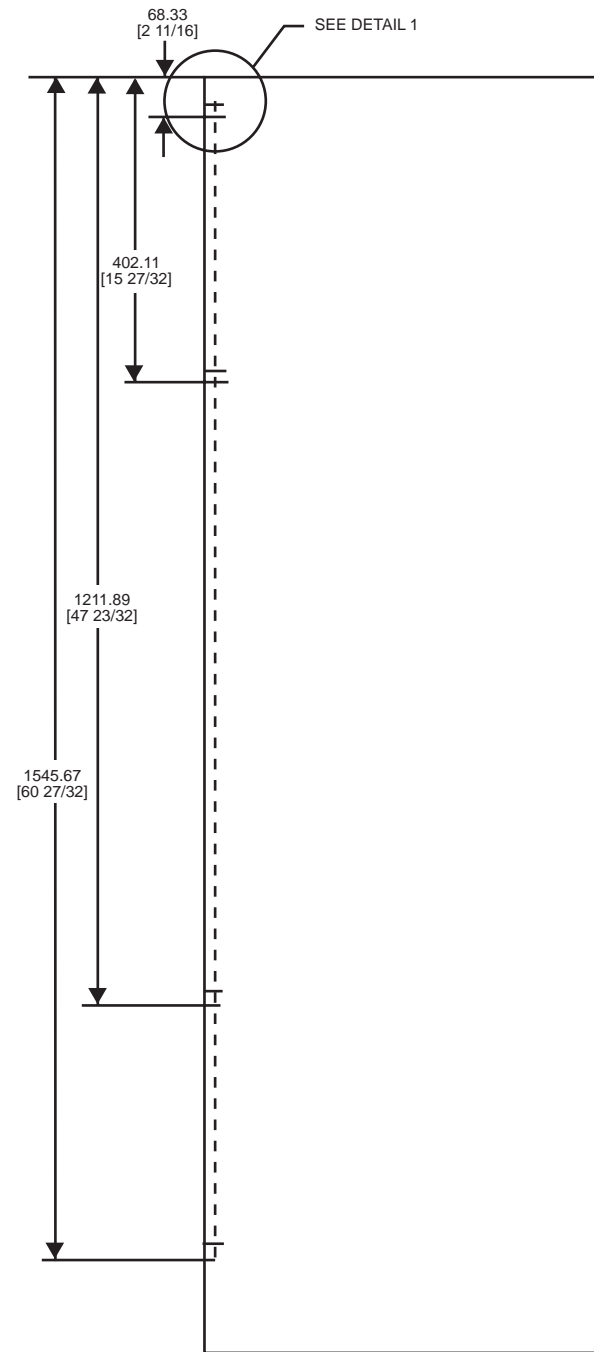
- Install side door trim by peeling up 1 1/2" (38mm) of backing from bottom corner of side trim. Place trim over outside end of bottom trim. For proper alignment, side trim must be pulled tight against back of door. After checking placement, peel off backing and press into place. (Illustration shows top/bottom trim interface with side trim.)



A. Top trim
B. Freezer Door
C. Side trim
D. Refrigerator Door
E. Bottom trim

Side trim placement

- Tighten top trim screws.



Detail 1
TYP
4 Places
Scale 2.000

Procedure

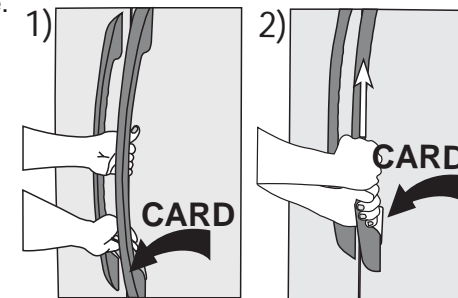
CAUTION
To avoid personal injury or property damage, two people should remove and rehang each door.

CAUTION
To avoid personal injury, wear gloves when performing any installation procedure.

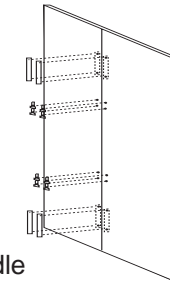
Removing Handles

To Remove: Bail type handle

- If present, carefully pry handle trim away from door panel.
- Flex the handle away from the door panel. Simultaneously place door handle removal card underneath the base of the lower handle. Insert the card to the line or until it stops.
- Grasp the lower part of the handle firmly and lift to remove.



- Remove handle mounting hardware and metal retainers from doors by removing screws.

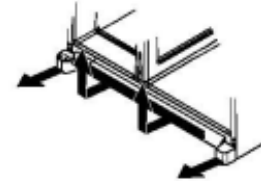


To Remove: Extruded handle

- Tap bottom edge of door handle upward with a rubber mallet.

Removing Doors All Models

- Use taped putty knife to pry toe grille off from top. Pry off hinge covers from outer side of hinge cover.



Toe grille and hinge cover removal

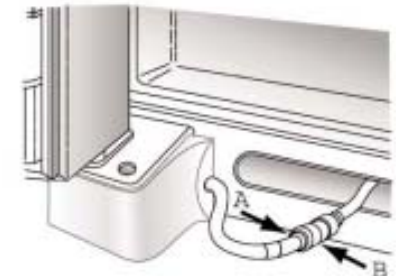
- Secure doors with masking tape to the cabinet.

CAUTION
To avoid property damage when disconnecting water line, drain water from tube into small bucket.

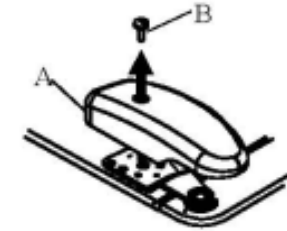
- To Disconnect the Water Line:
 - Push in white collar (A) and hold.
 - Pull the door side tube from the connector (B).

To Reconnect the Water Line:

- Firmly push tube 5/8" (15.7mm) into the connector. Use lines on the tube as a guide for full insertion.
- If the tube is damaged, cut off 5/8" (15.7mm) before reconnecting.



- Remove Screw and top hinge cover.



A. Top hinge cover
B. Top hinge screw

Hinge cover removal

Unplug top hinge wire connectors before removing top hinge.



A. Connector Lock

Disconnecting wire connectors

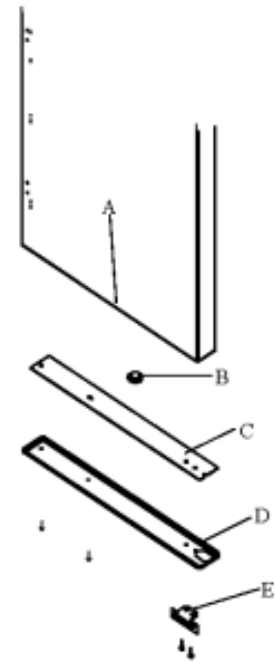
WARNING
To avoid electrical shock which can cause severe personal injury or death, green ground wire must remain attached to top hinge of dispenser door.

Unfasten top hinge from cabinet by removing top hinge screws.



Removing door and top hinge

- Remove tape from freezer door. Grasp door securely and lift up while opening. This will free door from bottom hinge pin. Top hinge will remain attached to door.
 - Plastic water tube will slide through bottom hinge pin as door is raised. (Dispenser models only)
- Remove tape from refrigerator door. Grasp refrigerator door securely and lift up while opening. This will free door from bottom hinge pin. Top hinge may come off door.
- Remove door stops by removing two screws from each door. Confirm plastic plug is removed from the bottom of doors.



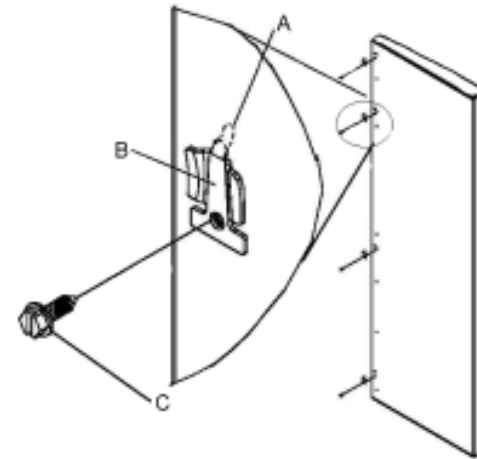
- A. Refrigerator/freezer door
- B. Plastic Plug
- C. Bottom door support plate
- D. Bottom Trim
- E. Door Stop



Reinstalling Doors See Fig 1.

- Install support plate then bottom trim by placing support plate and trim on bottom of doors. Insert and tighten screws. Install door stop previously removed on bottom of the doors. Insert and tighten screw.

- If necessary drill holes per diagram on page 6 for hole placement.
- Install retaining clips (4 per door) for new full-length handles. Insert tab at top of clip into hole in door. Fasten clips to door with 1/4" hex head screw.



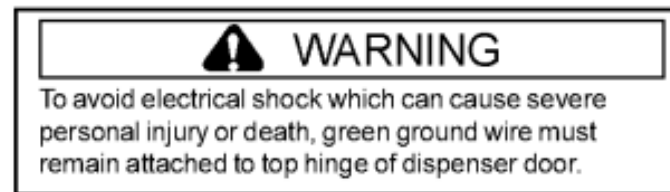
- A. Tab of handle retainer fits in the hole in the door
- B. Retainer clip
- C. Retainer screws

Retainer clip installation

- Dispenser Doors**
Thread water tube through bottom hinge pin when replacing freezer door. Tape doors to the cabinet with masking tape. Replace top hinge screws. Reconnect top hinge wire connectors. Carefully replace top hinge cover to avoid pinching wires.

All Models

Set refrigerator and freezer door on bottom hinges. Tape doors shut with masking tape. Replace screws in top hinge, tighten screws. Place top hinge cover on top of hinge. Insert and tighten screw to fasten hinge cover.



- Dispenser Models**
Reconnect water line, See Page #3



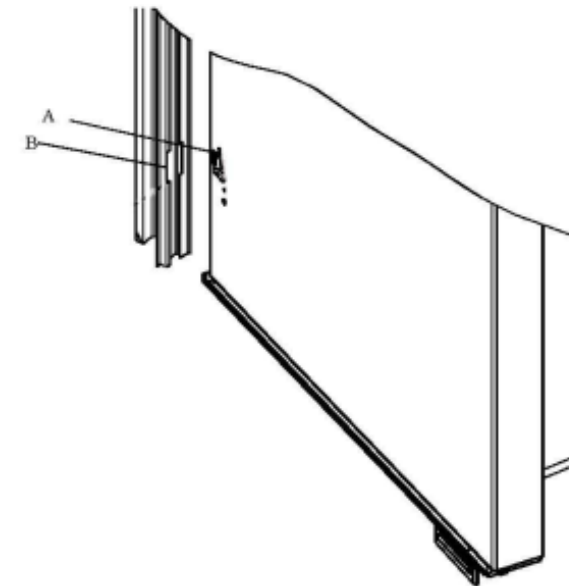
- Attach covers for bottom hinges.
- Replace toe grille.

Facade Replace Kits

If replacing facade refer to installation instructions provided with facade kits.

Installing New Handles

Align notches on back of handle with retaining clips on door to determine correct handle orientation. Insert retainer clips in handle notches and slide handle down until it contacts bottom trim.

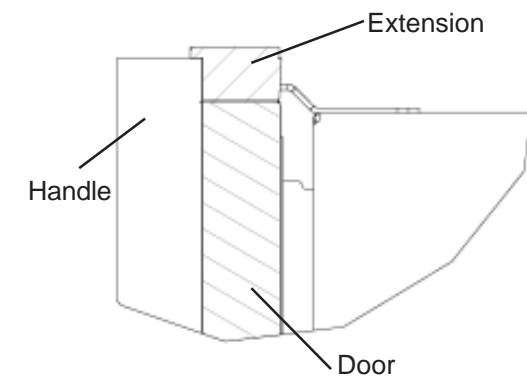


- A. Retainer clip
- B. Handle Notch

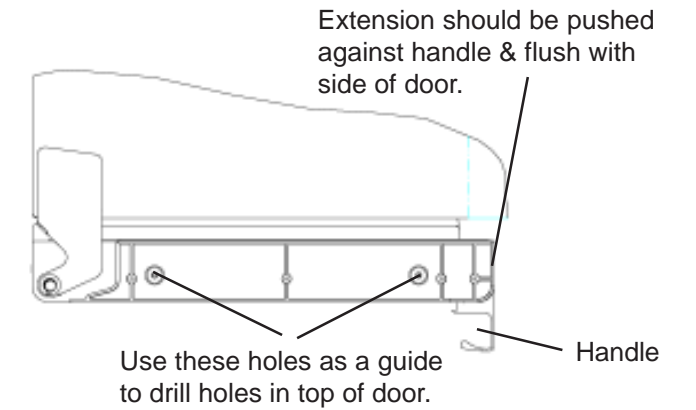
Handle installation

Installing Trim & Panels - HTBK Kits

- Place plastic extension on top of door and if necessary drill 2.4mm (3/32) holes. Use existing screw locations in plastic extension as guide.

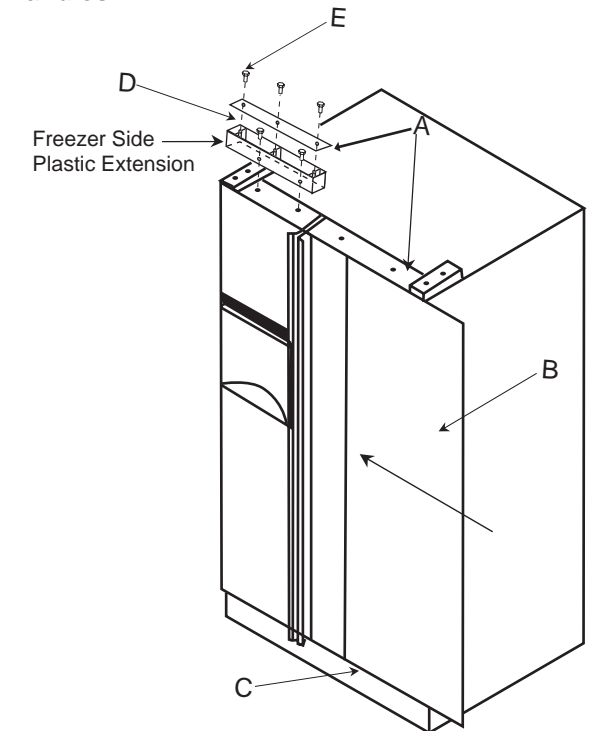


Freezer door side view (Handle Side)



Freezer door top view

- Attach door extension to tops of doors by inserting and tightening 1/4" hex head screws.
- Install new top door trim by placing trim on top of doors. Trim fits only one way. Insert top screws (Phillips) removed earlier. **Top trim screws should be started but not tightened.**
- Slide decorator panels between top and bottom door trim until panels are secure under door handles.**



- A. Top Trim
- B. Decorator panel
- C. Bottom Trim
- D. Extension screws
- E. Top Trim screws (Phillips)

Panel installation

Important
Clean door surfaces of any residue to ensure that trim adhesive sticks properly.